

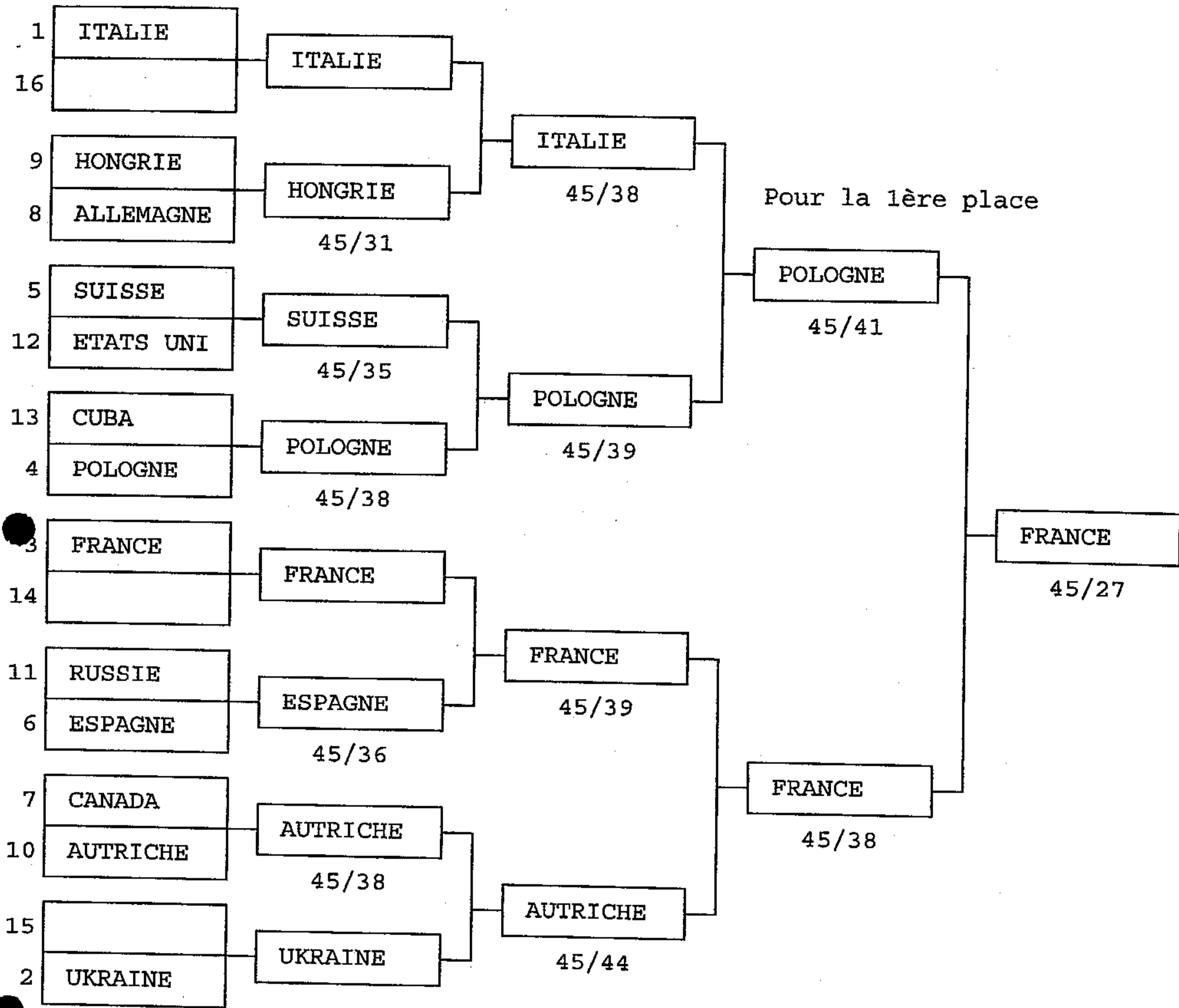


| POS. | COUNTRY | MEDAL |
|------|---------------|--------|
| 1 | FRANCE | Gold |
| 2 | POLAND | Silver |
| 3 | AUSTRIA | Bronze |
| 4 | ITALY | |
| 5 | UKRAINE | |
| 6 | HUNGARY | |
| 7 | SPAIN | |
| 8 | SWITZERLAND | |
| 9 | GERMANY | |
| 10 | RUSSIAN | |
| 11 | CUBA | |
| 12 | CANADA | |
| 13 | UNITED STATES | |

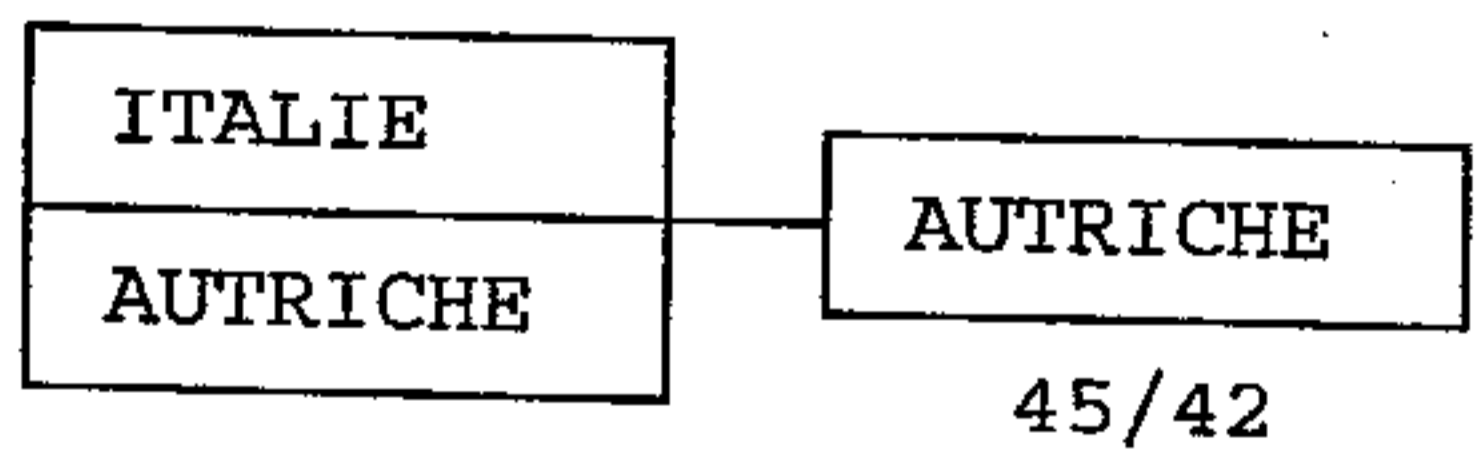
| COUNTRY | BIB | NAME | RANK |
|-------------|-----|----------------------|------|
| AUT AUSTRIA | 37 | KAYSER, Oliver | |
| | 38 | MARIK, Christoph | |
| | 39 | ROBATSCH, Marcus | |
| | 40 | SWITAK, Michael | |
| CAN CANADA | 60 | BERTRAND, Nicolas | |
| | 61 | PELLETIER, Vincent | |
| | 11 | ST-HILAIRE, Charles | |
| | 8 | BAKOS, Tarsch | |
| CUB CUBA | 103 | CARRILLO, Andres | |
| | 104 | MOLA, Angel | |
| | 105 | GONZALEZ, Gisel | |
| ESP SPAIN | 16 | ABAJO, Jose | |
| | 17 | ARAIZ, Eladio | |
| | 18 | RAMIREZ, Alfonso | |
| | 19 | SEPULVEDA, Eduardo | |
| FRA FRANCE | 174 | PILLAC, Cedric | |
| | 175 | LE ROY, Stephane | |
| | 176 | FAUCHER, Cyril | |
| | 177 | DENIS, Matthieu | |
| GER GERMANY | 1 | FEHLER, Manuel | |
| | 2 | HORNUSS, Cyrill | |
| | 3 | STRIGEL, Daniel | |
| HUN HUNGARY | 207 | KOLCZONAY, Gabor | |
| | 208 | IMRE, Geza | |
| | 209 | BOCZKO, Gabor | |
| ITA ITALY | 221 | BOSSALINI, A. | |
| | 225 | CONFALONIERI, Diego | |
| | 226 | MARTINELLI, F. | |
| | 227 | BURRONI, David | |
| POL POLAND | 275 | KUROWSKI, Bartłomiej | |
| | 279 | PALUSZCZAK, Lukasz | |
| | 280 | SZKLARSKI, Tomasz | |
| | 281 | WOZNIAK, Wojciech | |

| COUNTRY | BIB | NAME | RANK |
|-------------------|-----|----------------------|------|
| RUS RUSSIAN | 140 | KOTCHETKOV, Serguei | |
| | 141 | ELETSKIKH, A. | |
| | 142 | KOLOTILINE, Andrei | |
| | 143 | SELINE, Alexei | |
| SUI SWITZERLAND | 327 | STEFFEN, Andreas | |
| | 328 | LANG, Daniel | |
| | 329 | FISCHER, Marcel | |
| UKR UKRAINE | 349 | PLYSHEVSKY, V. | |
| | 350 | KOCHERGIN, Oleksandr | |
| | 351 | KARUCHENKO, Dmitriy | |
| | 352 | GORBACHUK, Oleksandr | |
| USA UNITED STATES | 361 | HANSEN, Eric | |
| | 366 | ROSENBERG, David | |
| | 367 | ROSTAL, Ssott | |
| | 370 | THOMPSON, Soren | |
| TOTAL | | 13 | |

ESPADA MASCULINA EQ. - UNIVERSIA

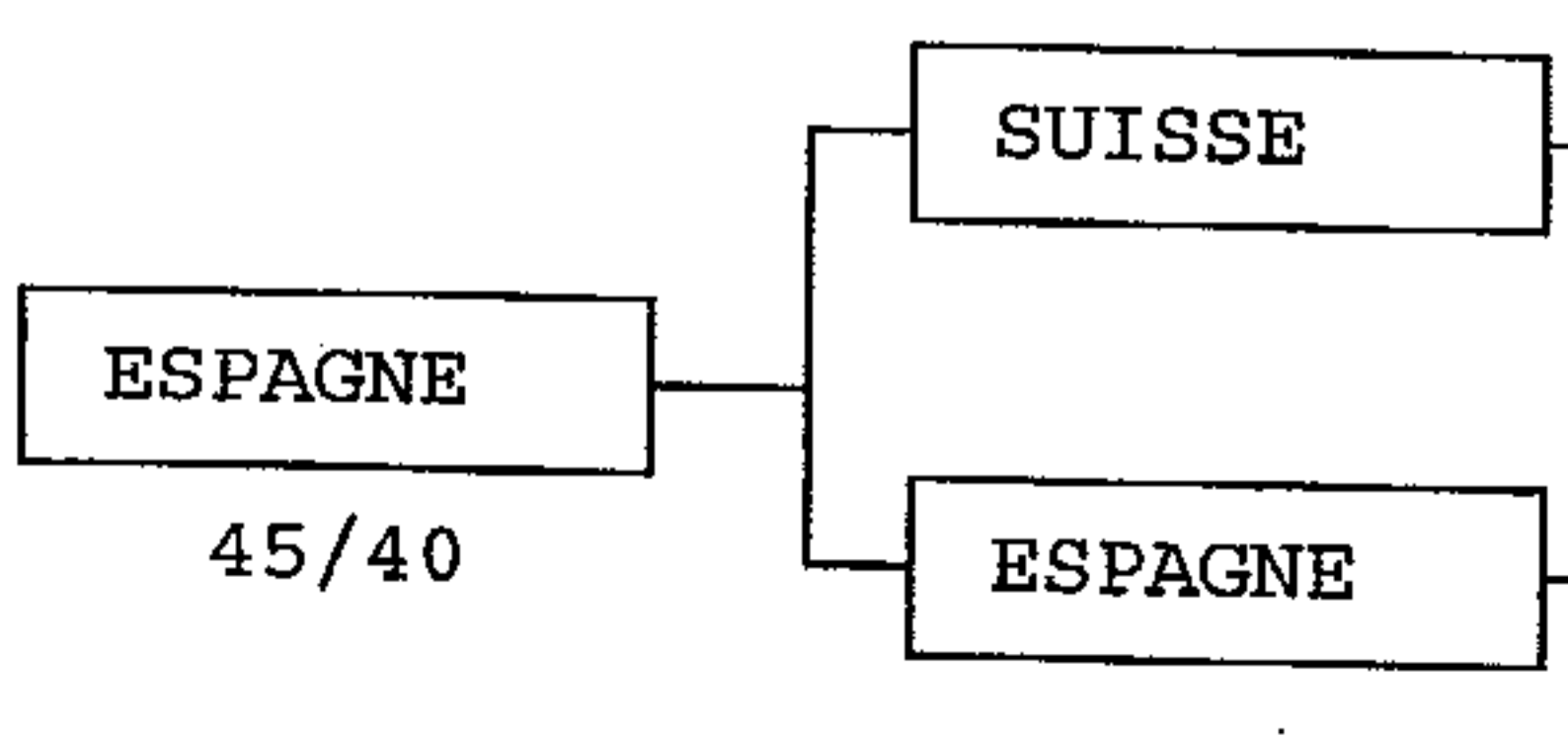


Pour la 3ème place

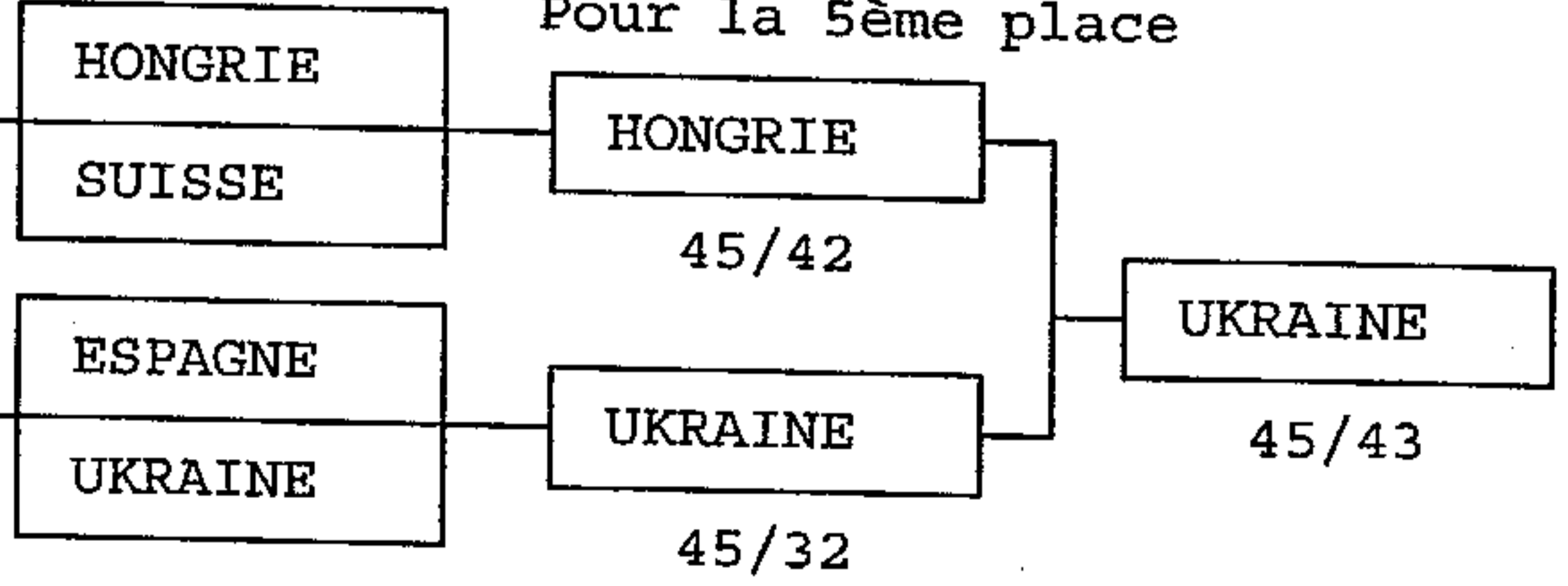


TABEAU 5-8

Pour la 7ème place

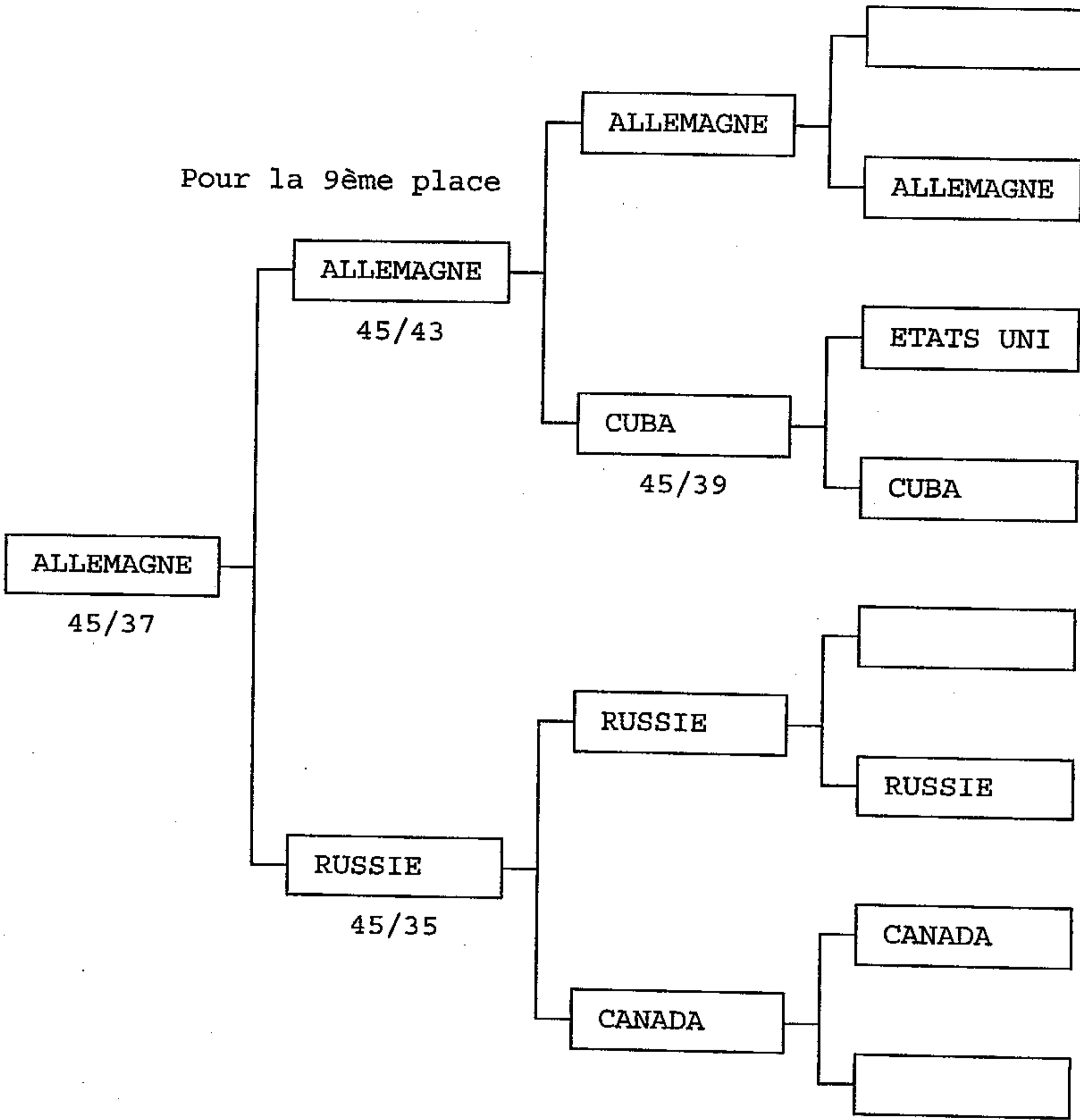


Pour la 5ème place

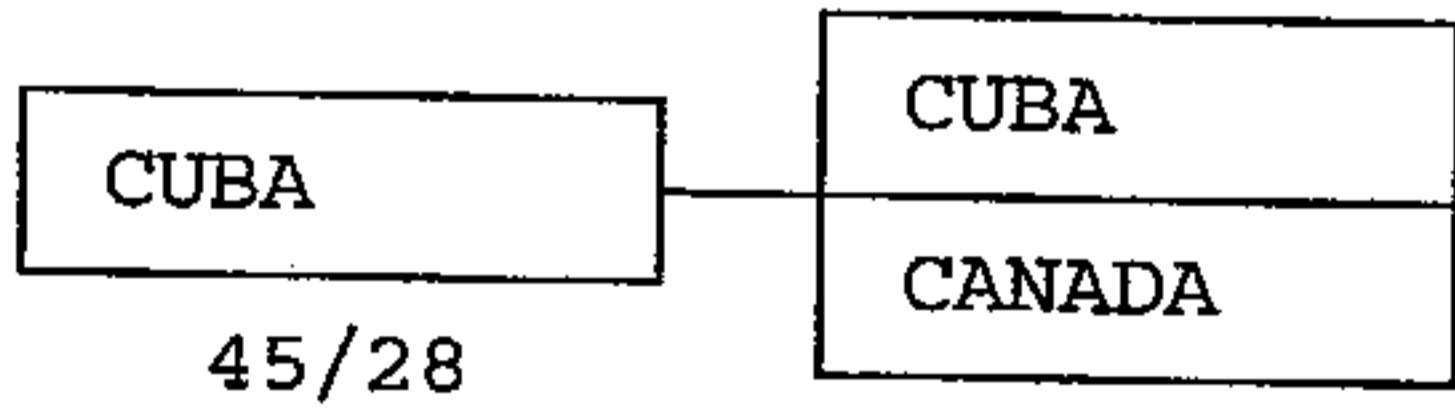


ESPADA MASCULINA EQ. - UNIVERSIA

Pour la 9ème place



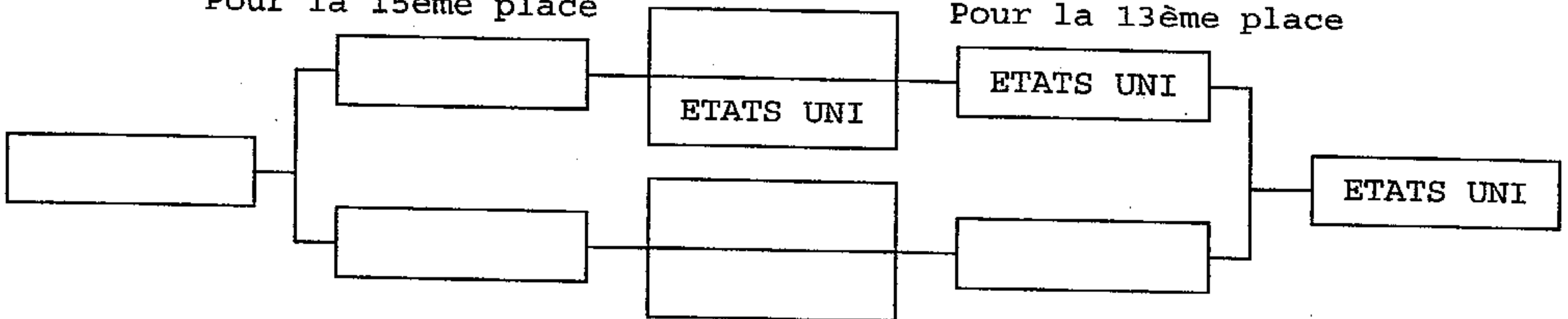
Pour la 11ème place



TABEAU 13-16

Pour la 15ème place

Pour la 13ème place



| ROUND | BOUT | DATE | TIME | NUM. | COUNTRY | NUM. | COUNTRY | SCORE | TOTAL |
|-------|------|----------|------|------|---------------------|------|----------------------|-------|-------|
| 1/8 | 5 | 08/07/99 | 9:00 | | RUSSIAN | | SPAIN | | |
| | | | | 140 | KOTCHETKOV, Serguei | 16 | ABAJO, Jose | 4-5 | 4-5 |
| | | | | 143 | SELINE, Alexei | 18 | RAMIREZ, Alfonso | 3-5 | 7-10 |
| | | | | 142 | KOLOTILINE, Andrei | 19 | SEPULVEDA, Eduardo | 6-5 | 13-15 |
| | | | | 140 | KOTCHETKOV, Serguei | 18 | RAMIREZ, Alfonso | 4-5 | 17-20 |
| | | | | 142 | KOLOTILINE, Andrei | 16 | ABAJO, Jose | 8-2 | 25-22 |
| | | | | 143 | SELINE, Alexei | 19 | SEPULVEDA, Eduardo | 5-6 | 30-28 |
| | | | | 142 | KOLOTILINE, Andrei | 18 | RAMIREZ, Alfonso | 3-7 | 33-35 |
| | | | | 140 | KOTCHETKOV, Serguei | 19 | SEPULVEDA, Eduardo | 2-5 | 35-40 |
| | | | | 143 | SELINE, Alexei | 16 | ABAJO, Jose | 1-5 | 36-45 |
| 1/8 | 2 | 09/07/99 | 9:00 | | HUNGARY | | GERMANY | | |
| | | | | 209 | BOCZKO, Gabor | 3 | STRIGEL, Daniel | 5-3 | 5-3 |
| | | | | 208 | IMRE, Geza | 2 | HORNUSS, Cyrill | 5-5 | 10-8 |
| | | | | 207 | KOLCZONAY, Gabor | 1 | FEHLER, Manuel | 5-4 | 15-12 |
| | | | | 209 | BOCZKO, Gabor | 2 | HORNUSS, Cyrill | 5-3 | 45-31 |
| | | | | 207 | KOLCZONAY, Gabor | 3 | STRIGEL, Daniel | 5-4 | 25-20 |
| | | | | 208 | IMRE, Geza | 1 | FEHLER, Manuel | 5-4 | 30-24 |
| | | | | 207 | KOLCZONAY, Gabor | 2 | HORNUSS, Cyrill | 5-2 | 35-26 |
| | | | | 209 | BOCZKO, Gabor | 1 | FEHLER, Manuel | 1-1 | 36-27 |
| | | | | 208 | IMRE, Geza | 6 | BISSDORF, Ralf | 9-5 | 45-32 |
| 1/8 | 3 | 09/07/99 | 9:00 | | SWITZERLAND | | UNITED STATES | | |
| | | | | 328 | LANG, Daniel | 361 | HANSEN, Eric | 2-5 | 2-5 |
| | | | | 329 | FISCHER, Marcel | 370 | THOMPSON, Soren | 5-6 | 7-11 |
| | | | | 327 | STEFFEN, Andreas | 366 | ROSENBERG, David | 4-4 | 11-15 |
| | | | | 328 | LANG, Daniel | 370 | THOMPSON, Soren | 9-3 | 20-18 |
| | | | | 327 | STEFFEN, Andreas | 361 | HANSEN, Eric | 4-4 | 24-22 |
| | | | | 329 | FISCHER, Marcel | 366 | ROSENBERG, David | 6-4 | 30-26 |
| | | | | 327 | STEFFEN, Andreas | 370 | THOMPSON, Soren | 5-3 | 35-29 |
| | | | | 328 | LANG, Daniel | 366 | ROSENBERG, David | 5-4 | 40-33 |
| | | | | 329 | FISCHER, Marcel | 361 | HANSEN, Eric | 5-2 | 45-35 |
| 1/8 | 4 | 09/07/99 | 9:00 | | CUBA | | POLAND | | |
| | | | | 104 | MOLA, Angel | 280 | SZKLARSKI, Tomasz | 3-5 | 3-5 |
| | | | | 105 | GONZALEZ, Gisel | 275 | KUROWSKI, Bartlomiej | 4-5 | 7-10 |
| | | | | 103 | CARRILLO, Andres | 281 | WOZNIAK, Wojciech | 8-5 | 15-15 |
| | | | | 105 | GONZALEZ, Gisel | 280 | SZKLARSKI, Tomasz | 3-5 | 18-20 |
| | | | | 104 | MOLA, Angel | 281 | WOZNIAK, Wojciech | 2-5 | 20-25 |
| | | | | 103 | CARRILLO, Andres | 275 | KUROWSKI, Bartlomiej | 6-5 | 26-30 |
| | | | | 105 | GONZALEZ, Gisel | 281 | WOZNIAK, Wojciech | 6-5 | 32-35 |
| | | | | 103 | CARRILLO, Andres | 280 | SZKLARSKI, Tomasz | 1-5 | 33-40 |
| | | | | 104 | MOLA, Angel | 275 | KUROWSKI, Bartlomiej | 5-5 | 38-45 |

| ROUND | BOUT | DATE | TIME | NUM. | COUNTRY | NUM. | COUNTRY | SCORE | TOTAL |
|-------|------|----------|-------|------|---------------------|------|----------------------|-------|-------|
| 1/8 | 7 | 09/07/99 | 9:00 | | CANADA | | AUSTRIA | | |
| | | | | 8 | BAKOS, Tarsch | 38 | MARIK, Christoph | 5-4 | 5-4 |
| | | | | 11 | ST-HILAIRE, Charles | 40 | SWITAK, Michael | 5-4 | 10-8 |
| | | | | 60 | BERTRAND, Nicolas | 39 | ROBATSCH, Marcus | 5-6 | 15-14 |
| | | | | 8 | BAKOS, Tarsch | 40 | SWITAK, Michael | 0-6 | 15-20 |
| | | | | 60 | BERTRAND, Nicolas | 38 | MARIK, Christoph | 2-5 | 17-25 |
| | | | | 11 | ST-HILAIRE, Charles | 39 | ROBATSCH, Marcus | 7-2 | 24-27 |
| | | | | 60 | BERTRAND, Nicolas | 40 | SWITAK, Michael | 6-8 | 30-35 |
| | | | | 8 | BAKOS, Tarsch | 39 | ROBATSCH, Marcus | 0-5 | 30-40 |
| | | | | 11 | ST-HILAIRE, Charles | 38 | MARIK, Christoph | 8-5 | 38-45 |
| 1/4 | 11 | 09/07/99 | 9:00 | | FRANCE | | SPAIN | | |
| | | | | 174 | PILLAC, Cedric | 16 | ABAJO, Jose | 1-5 | 1-5 |
| | | | | 177 | DENIS, Matthieu | 19 | SEPULVEDA, Eduardo | 2-5 | 3-10 |
| | | | | 175 | LE ROY, Stephane | 18 | RAMIREZ, Alfonso | 5-4 | 8-14 |
| | | | | 177 | DENIS, Matthieu | 16 | ABAJO, Jose | 5-6 | 13-20 |
| | | | | 174 | PILLAC, Cedric | 18 | RAMIREZ, Alfonso | 7-5 | 20-25 |
| | | | | 175 | LE ROY, Stephane | 19 | SEPULVEDA, Eduardo | 4-5 | 24-30 |
| | | | | 176 | FAUCHER, Cyril | 18 | RAMIREZ, Alfonso | 8-5 | 32-35 |
| | | | | 175 | LE ROY, Stephane | 16 | ABAJO, Jose | 8-3 | 45-39 |
| | | | | 174 | PILLAC, Cedric | 19 | SEPULVEDA, Eduardo | 5-1 | 45-41 |
| 1/4 | 9 | 09/07/99 | 10:30 | | ITALY | | HUNGARY | | |
| | | | | 226 | MARTINELLI, F. | 208 | IMRE, Geza | 1-5 | 1-5 |
| | | | | 227 | BURRONI, David | 207 | KOLCZONAY, Gabor | 9-3 | 10-8 |
| | | | | 221 | BOSSALINI, A. | 209 | BOCZKO, Gabor | 3-4 | 13-12 |
| | | | | 226 | MARTINELLI, F. | 207 | KOLCZONAY, Gabor | 7-3 | 20-15 |
| | | | | 221 | BOSSALINI, A. | 208 | IMRE, Geza | 5-5 | 25-20 |
| | | | | 227 | BURRONI, David | 209 | BOCZKO, Gabor | 5-4 | 30-24 |
| | | | | 221 | BOSSALINI, A. | 207 | KOLCZONAY, Gabor | 5-1 | 35-25 |
| | | | | 226 | MARTINELLI, F. | 209 | BOCZKO, Gabor | 5-8 | 40-33 |
| | | | | 227 | BURRONI, David | 208 | IMRE, Geza | 5-5 | 45-38 |
| 1/4 | 10 | 09/07/99 | 10:30 | | SWITZERLAND | | POLAND | | |
| | | | | 328 | LANG, Daniel | 275 | KUROWSKI, Bartlomiej | 5-3 | 5-3 |
| | | | | 329 | FISCHER, Marcel | 281 | WOZNIAK, Wojciech | 5-3 | 10-6 |
| | | | | 327 | STEFFEN, Andreas | 280 | SZKLARSKI, Tomasz | 3-5 | 13-11 |
| | | | | 328 | LANG, Daniel | 281 | WOZNIAK, Wojciech | 7-4 | 20-15 |
| | | | | 327 | STEFFEN, Andreas | 275 | KUROWSKI, Bartlomiej | 5-6 | 25-21 |
| | | | | 329 | FISCHER, Marcel | 280 | SZKLARSKI, Tomasz | 3-5 | 28-26 |
| | | | | 327 | STEFFEN, Andreas | 281 | WOZNIAK, Wojciech | 4-9 | 32-35 |
| | | | | 328 | LANG, Daniel | 280 | SZKLARSKI, Tomasz | 4-5 | 36-40 |
| | | | | 329 | FISCHER, Marcel | 275 | KUROWSKI, Bartlomiej | 3-5 | 39-45 |

| ROUND | BOU | DATE | TIME | NUM. | COUNTRY | NUM. | COUNTRY | SCORE | TOTAL |
|-----------|-----|----------|-------|------|------------------|------|----------------------|-------|-------|
| 1/4 | 12 | 09/07/99 | 10:30 | | AUSTRIA | | UKRAINE | | |
| | | | | 39 | ROBATSCH, Marcus | 352 | GORBACHUK, Oleksandr | 0-3 | 0-3 |
| | | | | 37 | KAYSER, Oliver | 351 | KARUCHENKO, Dmítriy | 3-7 | 3-10 |
| | | | | 40 | SWITAK, Michael | 350 | KOCHERGIN, Oleksandr | 11-3 | 14-13 |
| | | | | 37 | KAYSER, Oliver | 352 | GORBACHUK, Oleksandr | 6-3 | 20-16 |
| | | | | 39 | ROBATSCH, Marcus | 350 | KOCHERGIN, Oleksandr | 4-2 | 24-18 |
| | | | | 40 | SWITAK, Michael | 351 | KARUCHENKO, Dmítriy | 6-5 | 30-23 |
| | | | | 37 | KAYSER, Oliver | 350 | KOCHERGIN, Oleksandr | 5-1 | 35-24 |
| | | | | 40 | SWITAK, Michael | 352 | GORBACHUK, Oleksandr | 4-9 | 39-33 |
| | | | | 39 | ROBATSCH, Marcus | 351 | KARUCHENKO, Dmítriy | 6-11 | 45-44 |
| Semifinal | 13 | 09/07/99 | 12:30 | | ITALY | | POLAND | | |
| | | | | 227 | BURRONI, David | 275 | KUROWSKI, Bartlomiej | 5-4 | 5-4 |
| | | | | 221 | BOSSALINI, A. | 280 | SZKLARSKI, Tomasz | 5-4 | 10-8 |
| | | | | 226 | MARTINELLI, F. | 279 | PALUSZCZAK, Lukasz | 5-6 | 15-14 |
| | | | | 221 | BOSSALINI, A. | 275 | KUROWSKI, Bartlomiej | 5-4 | 20-18 |
| | | | | 227 | BURRONI, David | 279 | PALUSZCZAK, Lukasz | 5-3 | 25-21 |
| | | | | 226 | MARTINELLI, F. | 280 | SZKLARSKI, Tomasz | 5-7 | 30-28 |
| | | | | 221 | BOSSALINI, A. | 279 | PALUSZCZAK, Lukasz | 5-1 | 35-29 |
| | | | | 226 | MARTINELLI, F. | 275 | KUROWSKI, Bartlomiej | 5-7 | 40-36 |
| | | | | 227 | BURRONI, David | 280 | SZKLARSKI, Tomasz | 1-9 | 41-45 |
| Semifinal | 14 | 09/07/99 | 12:30 | | FRANCE | | AUSTRIA | | |
| | | | | 174 | PILLAC, Cedric | 38 | MARIK, Christoph | 1-5 | 1-5 |
| | | | | 177 | DENIS, Matthieu | 39 | ROBATSCH, Marcus | 4-2 | 45-38 |
| | | | | 175 | LE ROY, Stephane | 37 | KAYSER, Oliver | 10-7 | 16-14 |
| | | | | 177 | DENIS, Matthieu | 38 | MARIK, Christoph | 2-0 | 18-14 |
| | | | | 174 | PILLAC, Cedric | 37 | KAYSER, Oliver | 5-3 | 23-17 |
| | | | | 175 | LE ROY, Stephane | 39 | ROBATSCH, Marcus | 8-8 | 31-25 |
| | | | | 177 | DENIS, Matthieu | 37 | KAYSER, Oliver | 5-2 | 36-27 |
| | | | | 175 | LE ROY, Stephane | 38 | MARIK, Christoph | 5-10 | 41-37 |
| | | | | 174 | PILLAC, Cedric | 40 | SWITAK, Michael | 5-1 | 46-38 |
| Semifinal | 15 | 09/07/99 | 12:30 | | HUNGARY | | SWITZERLAND | | |
| | | | | 208 | IMRE, Geza | 328 | LANG, Daniel | 5-4 | 5-4 |
| | | | | 207 | KOLCZONAY, Gabor | 329 | FISCHER, Marcel | 5-4 | 10-8 |
| | | | | 209 | BOCZKO, Gabor | 327 | STEFFEN, Andreas | 5-2 | 15-10 |
| | | | | 207 | KOLCZONAY, Gabor | 328 | LANG, Daniel | 5-6 | 20-16 |
| | | | | 208 | IMRE, Geza | 327 | STEFFEN, Andreas | 1-3 | 21-19 |
| | | | | 209 | BOCZKO, Gabor | 329 | FISCHER, Marcel | 9-9 | 30-28 |
| | | | | 207 | KOLCZONAY, Gabor | 327 | STEFFEN, Andreas | 5-4 | 35-32 |
| | | | | 209 | BOCZKO, Gabor | 328 | LANG, Daniel | 5-4 | 40-36 |
| | | | | 208 | IMRE, Geza | 329 | FISCHER, Marcel | 5-6 | 45-42 |



Équipe Épée / Team Epee
Espada por Equipos / Espasa per equips
HOMMES / MEN / HOMBRES / HOMES

RÉSULTATS / RESULTS
RESULTADOS / RESULTATS



ESCRIME
FENCINO
ESORIMA
ESORIMA

FN

Ficobase

| ROUND | BOUT | DATE | TIME | NUM. | COUNTRY | NUM. | COUNTRY | SCORE | TOTAL |
|-----------|------|----------|-------|------|---------------------|------|----------------------|-------|-------|
| Semifinal | 16 | 09/07/99 | 12:30 | | SPAIN | | UKRAINE | | |
| | | | | 19 | SEPULVEDA, Eduardo | 352 | GORBACHUK, Oleksandr | 3-5 | 3-5 |
| | | | | 16 | ABAJO, Jose | 350 | KOCHERGIN, Oleksandr | 4-5 | 7-10 |
| | | | | 18 | RAMIREZ, Alfonso | 349 | PLYSHEVSKY, V. | 2-5 | 9-15 |
| | | | | 19 | SEPULVEDA, Eduardo | 350 | KOCHERGIN, Oleksandr | 4-5 | 13-20 |
| | | | | 18 | RAMIREZ, Alfonso | 352 | GORBACHUK, Oleksandr | 3-5 | 16-25 |
| | | | | 16 | ABAJO, Jose | 349 | PLYSHEVSKY, V. | 8-5 | 24-30 |
| | | | | 17 | ARAIZ, Eladio | 350 | KOCHERGIN, Oleksandr | 2-5 | 32-45 |
| | | | | 19 | SEPULVEDA, Eduardo | 349 | PLYSHEVSKY, V. | 2-5 | 29-40 |
| | | | | 16 | ABAJO, Jose | 352 | GORBACHUK, Oleksandr | 4-5 | 33-45 |
| 7th-8th | 17 | 09/07/99 | 14:30 | | SWITZERLAND | | SPAIN | | |
| | | | | 328 | LANG, Daniel | 16 | ABAJO, Jose | 2-5 | 40-45 |
| | | | | 329 | FISCHER, Marcel | 17 | ARAIZ, Eladio | 8-3 | 13-5 |
| | | | | 327 | STEFFEN, Andreas | 19 | SEPULVEDA, Eduardo | 5-3 | 18-8 |
| | | | | 328 | LANG, Daniel | 17 | ARAIZ, Eladio | 5-5 | 23-13 |
| | | | | 327 | STEFFEN, Andreas | 16 | ABAJO, Jose | 3-9 | 26-22 |
| | | | | 329 | FISCHER, Marcel | 19 | SEPULVEDA, Eduardo | 2-5 | 28-27 |
| | | | | 327 | STEFFEN, Andreas | 17 | ARAIZ, Eladio | 5-4 | 33-31 |
| | | | | 328 | LANG, Daniel | 19 | SEPULVEDA, Eduardo | 3-4 | 36-35 |
| | | | | 329 | FISCHER, Marcel | 16 | ABAJO, Jose | 7-7 | 43-42 |
| 5th-6th | 18 | 09/07/99 | 14:30 | | HUNGARY | | UKRAINE | | |
| | | | | 208 | IMRE, Geza | 349 | PLYSHEVSKY, V. | 5-1 | 5-1 |
| | | | | 209 | BOCZKO, Gabor | 351 | KARUCHENKO, Dmitriy | 5-3 | 10-4 |
| | | | | 207 | KOLCZONAY, Gabor | 350 | KOCHERGIN, Oleksandr | 5-4 | 15-8 |
| | | | | 208 | IMRE, Geza | 351 | KARUCHENKO, Dmitriy | 5-8 | 20-16 |
| | | | | 207 | KOLCZONAY, Gabor | 349 | PLYSHEVSKY, V. | 4-5 | 24-21 |
| | | | | 209 | BOCZKO, Gabor | 350 | KOCHERGIN, Oleksandr | 6-5 | 30-26 |
| | | | | 207 | KOLCZONAY, Gabor | 351 | KARUCHENKO, Dmitriy | 5-8 | 35-34 |
| | | | | 208 | IMRE, Geza | 350 | KOCHERGIN, Oleksandr | 3-6 | 38-40 |
| | | | | 209 | BOCZKO, Gabor | 352 | GORBACHUK, Oleksandr | 5-5 | 43-45 |
| 3rd-4th | 19 | 09/07/99 | 14:30 | | ITALY | | AUSTRIA | | |
| | | | | 227 | BURRONI, David | 38 | MARIK, Christoph | 5-1 | 5-1 |
| | | | | 221 | BOSSALINI, A. | 37 | KAYSER, Oliver | 5-5 | 10-6 |
| | | | | 225 | CONFALONIERI, Diego | 39 | ROBATSCH, Marcus | 5-4 | 15-10 |
| | | | | 227 | BURRONI, David | 37 | KAYSER, Oliver | 5-8 | 20-18 |
| | | | | 225 | CONFALONIERI, Diego | 38 | MARIK, Christoph | 5-2 | 25-20 |
| | | | | 221 | BOSSALINI, A. | 39 | ROBATSCH, Marcus | 5-9 | 30-29 |
| | | | | 225 | CONFALONIERI, Diego | 37 | KAYSER, Oliver | 2-6 | 32-35 |
| | | | | 227 | BURRONI, David | 39 | ROBATSCH, Marcus | 4-5 | 36-40 |
| | | | | 221 | BOSSALINI, A. | 40 | SWITAK, Michael | 6-5 | 42-45 |

| ROUND | BOUT | DATE | TIME | NUM. | COUNTRY | NUM. | COUNTRY | SCORE | TOTAL |
|-----------|------|----------|-------|------|----------------------|------|---------------------|-------|-------|
| Final | 20 | 09/07/99 | 18:00 | | POLAND | | FRANCE | | |
| | | | | 275 | KUROWSKI, Bartlomiej | 176 | FAUCHER, Cyril | 3-5 | 3-5 |
| | | | | 279 | PALUSZCZAK, Lukasz | 174 | PILLAC, Cedric | 0-5 | 3-10 |
| | | | | 280 | SZKLARSKI, Tomasz | 177 | DENIS, Matthieu | 3-5 | 6-15 |
| | | | | 279 | PALUSZCZAK, Lukasz | 176 | FAUCHER, Cyril | 3-5 | 9-20 |
| | | | | 275 | KUROWSKI, Bartlomiej | 177 | DENIS, Matthieu | 4-5 | 13-25 |
| | | | | 280 | SZKLARSKI, Tomasz | 174 | PILLAC, Cedric | 3-5 | 16-30 |
| | | | | 279 | PALUSZCZAK, Lukasz | 177 | DENIS, Matthieu | 2-5 | 18-35 |
| | | | | 280 | SZKLARSKI, Tomasz | 176 | FAUCHER, Cyril | 3-5 | 21-40 |
| | | | | 275 | KUROWSKI, Bartlomiej | 174 | PILLAC, Cedric | 6-5 | 27-45 |
| 1/4 | 22 | 09/07/99 | 10:30 | | UNITED STATES | | CUBA | | |
| | | | | 366 | ROSENBERG, David | 104 | MOLA, Angel | 4-5 | 39-45 |
| | | | | 361 | HANSEN, Eric | 105 | GONZALEZ, Gisel | 1-2 | 1-2 |
| | | | | 367 | ROSTAL, Scott | 103 | CARRILLO, Andres | 3-6 | 4-8 |
| | | | | 366 | ROSENBERG, David | 105 | GONZALEZ, Gisel | 1-7 | 5-15 |
| | | | | 367 | ROSTAL, Scott | 104 | MOLA, Angel | 5-5 | 10-20 |
| | | | | 361 | HANSEN, Eric | 103 | CARRILLO, Andres | 10-5 | 20-25 |
| | | | | 367 | ROSTAL, Scott | 105 | GONZALEZ, Gisel | 2-5 | 22-30 |
| | | | | 366 | ROSENBERG, David | 103 | CARRILLO, Andres | 5-5 | 27-35 |
| | | | | 361 | HANSEN, Eric | 104 | MOLA, Angel | 8-5 | 35-40 |
| Semifinal | 25 | 09/07/99 | 13:00 | | GERMANY | | CUBA | | |
| | | | | 1 | FEHLER, Manuel | 104 | MOLA, Angel | 5-0 | 5-0 |
| | | | | 3 | STRIGEL, Daniel | 105 | GONZALEZ, Gisel | 6-7 | 10-7 |
| | | | | 2 | HORNUSS, Cyrill | 103 | CARRILLO, Andres | 5-2 | 15-9 |
| | | | | 1 | FEHLER, Manuel | 105 | GONZALEZ, Gisel | 5-4 | 20-13 |
| | | | | 2 | HORNUSS, Cyrill | 104 | MOLA, Angel | 2-8 | 22-21 |
| | | | | 3 | STRIGEL, Daniel | 103 | CARRILLO, Andres | 6-9 | 28-30 |
| | | | | 2 | HORNUSS, Cyrill | 105 | GONZALEZ, Gisel | 7-5 | 35-35 |
| | | | | 1 | FEHLER, Manuel | 103 | CARRILLO, Andres | 4-4 | 39-39 |
| | | | | 3 | STRIGEL, Daniel | 104 | MOLA, Angel | 6-4 | 45-43 |
| Semifinal | 26 | 09/07/99 | 13:00 | | RUSSIAN | | CANADA | | |
| | | | | 143 | SELINE, Alexei | 61 | PELLETIER, Vincent | 5-4 | 5-4 |
| | | | | 141 | ELETSKIKH, A. | 11 | ST-HILAIRE, Charles | 5-2 | 10-6 |
| | | | | 140 | KOTCHETKOV, Serguei | 60 | BERTRAND, Nicolas | 5-8 | 15-14 |
| | | | | 141 | ELETSKIKH, A. | 61 | PELLETIER, Vincent | 5-4 | 20-18 |
| | | | | 143 | SELINE, Alexei | 60 | BERTRAND, Nicolas | 5-4 | 25-22 |
| | | | | 140 | KOTCHETKOV, Serguei | 11 | ST-HILAIRE, Charles | 5-2 | 30-24 |
| | | | | 141 | ELETSKIKH, A. | 60 | BERTRAND, Nicolas | 5-5 | 35-29 |
| | | | | 140 | KOTCHETKOV, Serguei | 61 | PELLETIER, Vincent | 5-2 | 40-31 |
| | | | | 143 | SELINE, Alexei | 11 | ST-HILAIRE, Charles | 5-4 | 45-35 |

| ROUND | BOUT | DATE | TIME | NUM. | COUNTRY | NUM. | COUNTRY | SCORE | TOTAL |
|-----------|------|----------|-------|------|------------------|------|---------------------|-------|-------|
| 11th-12th | 31 | 09/07/99 | 14:30 | | CUBA | | CANADA | | |
| | | | | 103 | CARRILLO, Andres | 11 | ST-HILAIRE, Charles | 5-3 | 5-3 |
| | | | | 104 | MOLA, Angel | 61 | PELLETIER, Vincent | 4-3 | 9-6 |
| | | | | 105 | GONZALEZ, Gisel | 60 | BERTRAND, Nicolas | 6-4 | 15-10 |
| | | | | 103 | CARRILLO, Andres | 61 | PELLETIER, Vincent | 5-4 | 20-14 |
| | | | | 105 | GONZALEZ, Gisel | 11 | ST-HILAIRE, Charles | 5-4 | 25-18 |
| | | | | 104 | MOLA, Angel | 60 | BERTRAND, Nicolas | 5-2 | 30-20 |
| | | | | 105 | GONZALEZ, Gisel | 61 | PELLETIER, Vincent | 5-1 | 35-21 |
| | | | | 103 | CARRILLO, Andres | 60 | BERTRAND, Nicolas | 5-2 | 40-23 |
| | | | | 104 | MOLA, Angel | 8 | BAKOS, Tarsch | 5-5 | 45-28 |
| 9th-10th | 32 | 09/07/99 | 14:30 | | GERMANY | | RUSSIAN | | |
| | | | | 3 | STRIGEL, Daniel | 143 | SELINE, Alexei | 5-2 | 5-2 |
| | | | | 2 | HORNUSS, Cyril | 142 | KOLOTILINE, Andrei | 4-5 | 9-7 |
| | | | | 1 | FEHLER, Manuel | 140 | KOTCHETKOV, Serguei | 6-2 | 15-9 |
| | | | | 2 | HORNUSS, Cyril | 143 | SELINE, Alexei | 5-4 | 20-13 |
| | | | | 3 | STRIGEL, Daniel | 140 | KOTCHETKOV, Serguei | 5-5 | 25-18 |
| | | | | 1 | FEHLER, Manuel | 142 | KOLOTILINE, Andrei | 5-8 | 30-26 |
| | | | | 2 | HORNUSS, Cyril | 140 | KOTCHETKOV, Serguei | 5-3 | 35-29 |
| | | | | 1 | FEHLER, Manuel | 143 | SELINE, Alexei | 5-3 | 40-32 |
| | | | | 3 | STRIGEL, Daniel | 142 | KOLOTILINE, Andrei | 5-5 | 45-37 |