

Challenge Eugène Fillol 2015

Women's Épée

Overall ranking, page 1/1

ranking	name and first name	country	club	
1	MÅRTENSSON Elvira	SWE	FFF Stockholm	Best junior fencer
2	LARSSON Sofie	SWE	UF Uppsala	
3	MUMM Emelie	SWE	DIF Stockholm	
3	HAARLEM Sophie	SWE	FFF Stockholm	
5	RUNOLD Vendela	SWE	FFF Stockholm	
5	KARLSSON Ebba	SWE	GoFK Visby	
7	LINDE Åsa	SWE	KF99 Kungsbacka	
8	ERIKSSON Ida	SWE	UF Uppsala	
9	WENNE Emma	SWE	DIF Stockholm	
10	ASCHEHOUG Irina	NOR	TTF Trondheim	
11	LEJON Viktoria	SWE	MF19 Malmö	
12	SIEVERT Sofia	SWE	FKC Karlskrona	
13	PAULANDER BÄCK Vega	SWE	SSIF Stockholm	
14	LÖFGREN Sonja	SWE	DIF Stockholm	
15	GORDON ACHOUR Alina	SWE	FFF Stockholm	
16	EKHOLM Irma	SWE	FKC Karlskrona	
17	HATZ Fiona	SUI	UF Uppsala	
18	ORNSTEIN Erika	SWE	SAF Stockholm	
19	FREDRIKSSON Lovisa	SWE	UF Uppsala	
20	WRAMNER Natalie	SWE	GoFK Visby	
21	WESSLÉN Elin	SWE	UF Uppsala	
22	LEHRMAN Cecilia	SWE	LFK Linköping	
23	FERM Camilla	SWE	FFF Stockholm	
24	HANSSON Kristina	SWE	KFK Kalmar	
25	BRECEVIC Nadja	SWE	GoFK Visby	
26	LINDGREN Julia	SWE	FFF Stockholm	
27	WARVSTEN Kerstin	SWE	LFK Linköping	
28	SUNDBERG Emma	SWE	DIF Stockholm	
29	BERGSTRÖM Josefine	SWE	FFF Stockholm	
30	RIGODT Isabella	SWE	SAF Stockholm	
31	NIKLASDOTTER Ebba	SWE	FFF Stockholm	
32	ERIKSSON Caroline	SWE	SSIF Stockholm	
33	ASP Julia	SWE	DIF Stockholm	
34	HEDIN Caroline	SWE	SSIF Stockholm	
35	ENGDAHL Sophie	SWE	FFF Stockholm	
36	EKMAN Lovisa	SWE	SAF Stockholm	
37	WAGNE Anna	SWE	LFK Linköping	
38	MANN Rebecca	SWE	GoFK Visby	
39	POCRNJA Iva	CRO	UF Uppsala	
40	ANDERSSON Matilda	SWE	UFK Umeå	
41	THORED Nathalie	SWE	GoFK Visby	
42	HADZIJAHOVIC Ajla	SWE	EFK Eskilstuna	
43	GIDESKOG MALMGREN Moa	SWE	UF Uppsala	

Challenge Eugène Filloi 2015

Women's Épée

Detailed formula – qualification rounds

Initial ranking

1
2
3
4
5
6

43 fencers to start – 24 fencers qualify for DE

Poules round no 1

All fencers qualify for poule round no 2

Poules round no 2

7 poule winners to DE with ranking 1-7

1
2
3
4
5
6

Poules round no 3

6 poule winners to DE with ranking 8-13

1
2
3
4
5
6

Poules round no 4

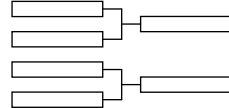
5 poule winners to DE with ranking 14-18

1
2
3
4
5
6

Ranking after poules 2-4

1
2
3
4
5
6

Preliminary tableau DE12



6 winners from prel.tableau to DE with ranking 19-24

1
2
3
4
5
6

Eliminated after poules final rankings 31-43

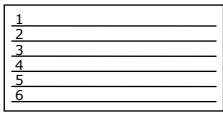
Eliminated after prel.tableau final rankings 25-30

Challenge Eugène Fillol 2015

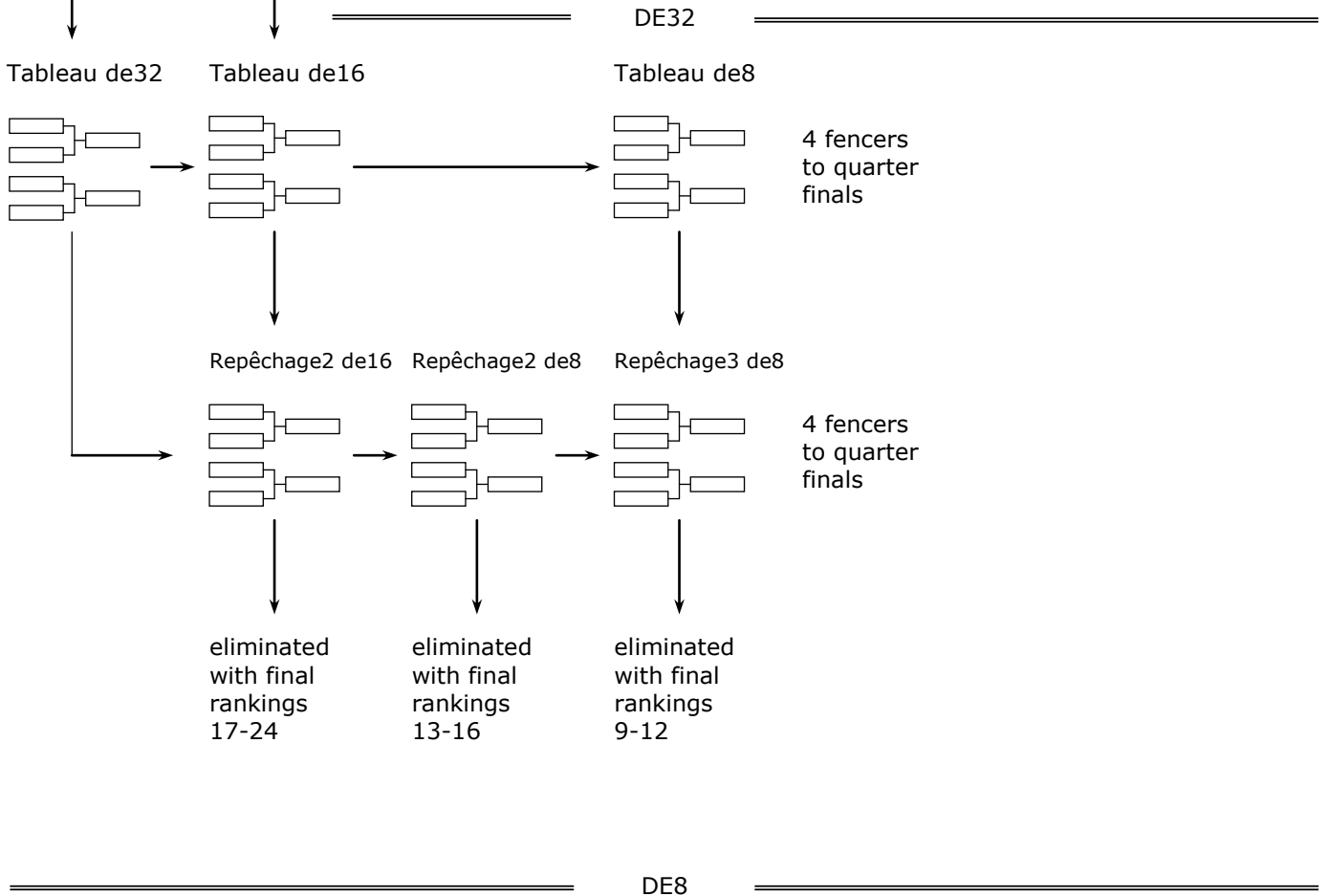
Women's Épée

Detailed formula – direct elimination

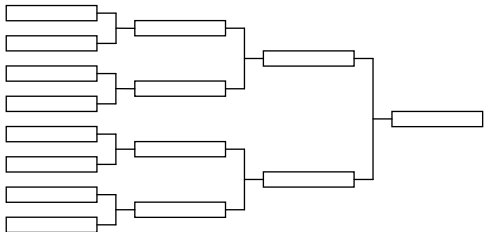
Ranking for tableau



24 fencers qualified for DE,
All fencers to an incomplete DE32 with repêchage to 8
followed by quarterfinals, semifinals and final



Final tableau



Challenge Eugène Fillol 2015

Women's Épée

Initial ranking (ordered by fencer number – 43),

page 1/1

fencer number	name	country	club
88	HAARLEM Sophie	SWE	FFF STOCKHOLM
184	MUMM Emelie	SWE	DIF STOCKHOLM
1007	LINDE Åsa	SWE	KF99 KUNGSBACKA
1008	KARLSSON Ebba	SWE	GOFK VISBY
1009	WENNE Emma	SWE	DIF STOCKHOLM
1010	HANSSON Kristina	SWE	KFK KALMAR
1013	LEJON Viktoria	SWE	MF19 MALMÖ
1016	WESSLÉN Elin	SWE	UF UPPSALA
1024	ASP Julia	SWE	DIF STOCKHOLM
1025	ERIKSSON Caroline	SWE	SSIF STOCKHOLM
1028	FREDRIKSSON Lovisa	SWE	UF UPPSALA
1029	FERM Camilla	SWE	FFF STOCKHOLM
1029	HATZ Fiona	SUI	UF UPPSALA
1030	LEHRMAN Cecilia	SWE	LFK LINKÖPING
1033	WARVSTEN Kerstin	SWE	LFK LINKÖPING
1036	HEDIN Caroline	SWE	SSIF STOCKHOLM
1037	WAGNE Anna	SWE	LFK LINKÖPING
1038	MÅRTENSSON Elvira	SWE	FFF STOCKHOLM
1042	EKHOLM Irma	SWE	FKC KARLSKRONA
1042	GORDON ACHOUR Alina	SWE	FFF STOCKHOLM
1042	LINDGREN Julia	SWE	FFF STOCKHOLM
1042	LÖFGREN Sonja	SWE	DIF STOCKHOLM
1047	BRECEVIC Nadja	SWE	GOFK VISBY
2000	ASCHEHOUG Irina	NOR	TTF TRONDHEIM
9999	ANDERSSON Matilda	SWE	UFK UMEÅ
9999	BERGSTRÖM Josefine	SWE	FFF STOCKHOLM
9999	EKMAN Lovisa	SWE	SAF STOCKHOLM
9999	ENGDAHL Sophie	SWE	FFF STOCKHOLM
9999	ERIKSSON Ida	SWE	UF UPPSALA
9999	GIDESKOG MALMGREN Moa	SWE	UF UPPSALA
9999	HADZIJAHOVIC Ajla	SWE	EFK ESKILSTUNA
9999	LARSSON Sofie	SWE	UF UPPSALA
9999	MANN Rebecca	SWE	GOFK VISBY
9999	NIKLASDOTTER Ebba	SWE	FFF STOCKHOLM
9999	ORNSTEIN Erika	SWE	SAF STOCKHOLM
9999	PAULANDER BÄCK Vega	SWE	SSIF STOCKHOLM
9999	POCRNJA Iva	CRO	UF UPPSALA
9999	RIGODT Isabella	SWE	SAF STOCKHOLM
9999	RUNOLD Vendela	SWE	FFF STOCKHOLM
9999	SIEVERT Sofia	SWE	FKC KARLSKRONA
9999	SUNDBERG Emma	SWE	DIF STOCKHOLM
9999	THORED Nathalie	SWE	GOFK VISBY
9999	WRAMNER Natalie	SWE	GOFK VISBY

Women's Epée

Poules, round No 1

Poule No 1 piste No 2

Referee: DAHNBERG Michael SWE UF

							V/M	ind.	HS	rank		
HAARLEM Sophie	FFF	SWE		4	3	V	V	V	0.600	10	22	3
LARSSON Sofie	UF	SWE	V		V	V	V	V	1.000	16	25	1
LEHRMAN Cecilia	LFK	SWE	V	2		V	V	V	0.800	5	22	2
SUNDBERG Emma	DIF	SWE	0	2	3		V	4	0.200	-9	14	4
HEDIN Caroline	SSIF	SWE	0	1	4	3		V	0.200	-9	13	5
RIGODT Isabella	SAF	SWE	2	0	2	V	2		0.200	-13	11	6

Poule No 2 piste No 3

Referee: BAECKLUND Bodil SWE FFF

							V/M	ind.	HS	rank		
WAGNE Anna	LFK	SWE		3	2	1	V	2	0.200	-9	13	5
MUMM Emelie	DIF	SWE	V		V	V	V	V	1.000	10	25	1
FERM Camilla	FFF	SWE	V	4		4	V	V	0.600	6	23	2
ERIKSSON Ida	UF	SWE	V	4	V		V	3	0.600	6	22	3
MANN Rebecca	GOFK	SWE	2	2	3	1		2	0.000	-15	10	6
ORNSTEIN Erika	SAF	SWE	V	2	2	V	V		0.600	2	19	4

Poule No 3 piste No 4

Referee: ENGMAN Johan SWE FFF

							V/M	ind.	HS	rank			
NIKLASDOTTER Ebba	FFF	SWE		V	V	V	V	2	V	0.833	9	27	3
HATZ Fiona	UF	SUI	4		V	V	V	V	V	0.833	9	29	2
HADZIJAHOVIC Ajla	EFK	SWE	1	2		4	V	1	4	0.167	-9	17	6
BERGSTRÖM Josefine	FFF	SWE	3	4	V		V	1	4	0.333	-3	22	5
EKHOLM Irma	FKC	SWE	4	3	1	1		1	4	0.000	-16	14	7
LINDE Åsa	KF99	SWE	V	3	V	V	V		V	0.833	16	28	1
WARVSTEN Kerstin	LFK	SWE	1	3	V	V	V	2		0.500	-6	21	4

Poule No 4 piste No 5

Referee: VALERO-PARRA Germán SWE JFK

							V/M	ind.	HS	rank		
RUNOLD Vendela	FFF	SWE		2	V	4	4	V	0.400	1	20	4
MÅRTENSSON Elvira	FFF	SWE	V		V	4	V	V	0.800	10	24	1
ANDERSSON Matilda	UFK	SWE	2	1		2	1	4	0.000	-15	10	6
PAULANDER BÄCK Vega	SSIF	SWE	V	V	V		1	3	0.600	-1	19	3
KARLSSON Ebba	GOFK	SWE	V	4	V	V		V	0.800	10	24	1
FREDRIKSSON Lovisa	UF	SWE	2	2	V	V	3		0.400	-5	17	5

Poules, round No 1

Poule No 5 piste No 6

Referee: RASMUSSEN Linn SWE UF

								V/M	ind.	HS	rank	
ERIKSSON Caroline	SSIF	SWE		V	1	3	V	V	0.600	1	19	4
POCRNJA Iva	UF	CRO	2		2	1	4	4	0.000	-12	13	6
WENNE Emma	DIF	SWE	V	V		V	V4	4	0.800	9	23	1
LINDGREN Julia	FFF	SWE	V	V	4		V	4	0.600	9	23	3
SIEVERT Sofia	FKC	SWE	4	V	2	0		3	0.200	-9	14	5
THORED Nathalie	GOFK	SWE	2	V	V	V	V		0.800	2	22	2

Poule No 6 piste No 7

Referee: LEWIN Pär-Anders SWE WFF

								V/M	ind.	HS	rank	
ASP Julia	DIF	SWE		4	3	V	4	V	0.400	3	21	3
HANSSON Kristina	KFK	SWE	V		3	4	3	V	0.400	-2	20	5
ASCHEHOUG Irina	TTF	NOR	V	V		V	V	V	1.000	14	25	1
GORDON ACHOUR Alina	FFF	SWE	3	V	4		3	V	0.400	1	20	4
WRAMNER Natalie	GOFK	SWE	V	V	1	V		V	0.800	5	21	2
GIDESKOG MALMGREN Moa	UF	SWE	0	3	0	0	1		0.000	-21	4	6

Poule No 7 piste No 8

Referee: WOLTERS Heinz SWE WFF

								V/M	ind.	HS	rank	
BRECEVIC Nadja	GOFK	SWE		4	V	V	V	1	0.600	5	20	3
WESSLÉN Elin	UF	SWE	V		3	3	V	V	0.600	0	21	4
ENGDAHL Sophie	FFF	SWE	1	V		3	4	2	0.200	-7	15	6
LÖFGREN Sonja	DIF	SWE	1	V	V4		V	V	0.800	1	20	1
EKMANN Lovisa	SAF	SWE	3	4	V	4		3	0.200	-5	19	5
LEJON Viktoria	MF19	SWE	V	3	V	4	V		0.600	6	22	2

Women's Epée

Poules, round No 2

Poule No 1 piste No 2

Referee: DAHNBERG Michael SWE UF

								V/M	ind.	HS	rank		
GIDESKOG MALMGREN Moa	UF	SWE		0	4	0	3	2	0	0.000	-21	9	7
NIKLASDOTTER Ebba	FFF	SWE	V		4	2	V	4	2	0.333	-2	22	5
EKHOLM Irma	FKC	SWE	V	V		4	V	4	3	0.500	1	26	4
LARSSON Sofie	UF	SWE	V	V	V		V	V	V	1.000	19	30	1
SUNDBERG Emma	DIF	SWE	V	4	2	0		4	2	0.167	-11	17	6
HANSSON Kristina	KFK	SWE	V	V	V	4	V		2	0.667	2	26	3
LEJON Viktoria	MF19	SWE	V	V	V	1	V	V		0.833	12	26	2

Poule No 2 piste No 3

Referee: BAECKLUND Bodil SWE FFF

								V/M	ind.	HS	rank		
FERM Camilla	FFF	SWE		2	0	3	V	V		0.400	2	15	3
GORDON ACHOUR Alina	FFF	SWE	V		2	2	2	V		0.400	-5	16	5
HAARLEM Sophie	FFF	SWE	V2	V		V	V	V		1.000	16	22	1
ASCHEHOUG Irina	TTF	NOR	V	V	3		V	V		0.800	9	23	2
FREDRIKSSON Lovisa	UF	SWE	1	V	1	2		V		0.400	-4	14	4
ANDERSSON Matilda	UFK	SWE	0	4	0	2	1			0.000	-18	7	6

Poule No 3 piste No 4

Referee: ENGMAN Johan SWE FFF

								V/M	ind.	HS	rank		
BERGSTRÖM Josefine	FFF	SWE		3	4	V	V	4		0.400	-1	21	4
RUNOLD Vendela	FFF	SWE	V		V	V	V	V		1.000	15	25	1
LINDGREN Julia	FFF	SWE	V	1		V	V	2		0.600	0	18	3
MANN Rebecca	GOFK	SWE	3	1	3		V	2		0.200	-10	14	5
THORED Nathalie	GOFK	SWE	4	2	1	4		1		0.000	-13	12	6
MUMM Emelie	DIF	SWE	V	3	V	V	V			0.800	9	23	2

Poule No 4 piste No 5

Referee: VALERO-PARRA Germán SWE JFK

								V/M	ind.	HS	rank		
POCRNJA Iva	UF	CRO		2	V	2	1	V		0.400	-8	15	5
ERIKSSON Ida	UF	SWE	V		V	3	V	V		0.800	6	23	2
WARVSTEN Kerstin	LFK	SWE	4	4		2	V	V		0.400	-3	20	4
LINDE Åsa	KF99	SWE	V	V	V		4	V		0.800	11	24	1
WRAMNER Natalie	GOFK	SWE	V	4	4	V		V		0.600	5	23	3
EKMANN Lovisa	SAF	SWE	4	2	4	1	3			0.000	-11	14	6

Poules, round No 2

Poule No 5 piste No 6

Referee: RASMUSSEN Linn SWE UF

							V/M	ind.	HS	rank		
BRECEVIC Nadja	GOFK	SWE	■	4	V	V	V	V	0.800	8	24	2
KARLSSON Ebba	GOFK	SWE	V	■	V	V	V	V	1.000	15	25	1
SIEVERT Sofia	FKC	SWE	4	3	■	V	V	V	0.600	3	22	3
LEHRMAN Cecilia	LFK	SWE	2	2	4	■	V	1	0.200	-7	14	5
HADZIHAHOVIC Ajla	EFK	SWE	2	0	1	1	■	2	0.000	-19	6	6
WESSLÉN Elin	UF	SWE	3	1	4	V	V	■	0.400	0	18	4

Poule No 6 piste No 7

Referee: LEWIN Pär-Anders SWE WFF

							V/M	ind.	HS	rank		
ERIKSSON Caroline	SSIF	SWE	■	V	V	3	V	3	0.600	3	21	3
PAULANDER BÄCK Vega	SSIF	SWE	2	■	V	3	V	2	0.400	-6	17	4
HEDIN Caroline	SSIF	SWE	4	4	■	2	V	3	0.200	-4	18	5
HATZ Fiona	UF	SUI	V	V	V	■	V	4	0.800	11	24	1
RIGODT Isabella	SAF	SWE	2	4	2	0	■	V	0.200	-11	13	6
MÅRTENSSON Elvira	FFF	SWE	V	V	V	V	4	■	0.800	7	24	2

Poule No 7 piste No 8

Referee: WOLTERS Heinz SWE WFF

							V/M	ind.	HS	rank		
WENNE Emma	DIF	SWE	■	V	V	V	V4	V	1.000	10	24	1
LÖFGREN Sonja	DIF	SWE	3	■	V	4	4	4	0.200	-1	20	6
ASP Julia	DIF	SWE	4	1	■	V	3	V	0.400	-4	18	5
ORNSTEIN Erika	SAF	SWE	1	V	3	■	V	V	0.600	-1	19	2
ENGDAHL Sophie	FFF	SWE	3	V	V	4	■	3	0.400	-1	20	3
WAGNE Anna	LFK	SWE	3	V	4	2	V	■	0.400	-3	19	4

Challenge Eugène Fillol 2015

Women's Epée

Poule winners qualified from poule round no 2 – ranking 1-7 in DE tableau

rank	name	country	club	V/M	ind	HS
1	LARSSON Sofie	SWE	UF UPPSALA	1.000	19	30
2	HAARLEM Sophie	SWE	FFF STOCKHOLM	1.000	16	22
3	KARLSSON Ebba	SWE	GOFK VISBY	1.000	15	25
3	RUNOLD Vendela	SWE	FFF STOCKHOLM	1.000	15	25
5	WENNE Emma	SWE	DIF STOCKHOLM	1.000	10	24
6	HATZ Fiona	SUI	UF UPPSALA	0.800	11	24
6	LINDE Åsa	SWE	KF99 KUNGSBACKA	0.800	11	24

Women's Epée

Poules, round No 3

Poule No 1 piste No 2

Referee: DAHNBERG Michael SWE UF

							V/M	ind.	HS	rank		
NIKLASDOTTER Ebba	FFF	SWE		1	2	V	V	2	0.400	-6	15	4
FERM Camilla	FFF	SWE	V		V	V	V	0	0.800	9	20	2
LINDGREN Julia	FFF	SWE	V	2		V	V	3	0.600	3	20	3
GIDESKOG MALMGREN Moa	UF	SWE	2	1	2		V	2	0.200	-12	12	5
POCRNJA Iva	UF	CRO	4	2	3	4		2	0.000	-10	15	6
LEJON Viktoria	MF19	SWE	V	V	V	V	V		1.000	16	25	1

Poule No 2 piste No 3

Referee: BAECKLUND Bodil SWE FFF

							V/M	ind.	HS	rank		
HEDIN Caroline	SSIF	SWE		V	1	2	V	1	0.400	-8	14	4
ERIKSSON Caroline	SSIF	SWE	3		3	3	V	3	0.200	-7	17	6
GORDON ACHOUR Alina	FFF	SWE	V	V		2	V	2	0.600	2	19	2
ENGDAHL Sophie	FFF	SWE	V	V	V		2	0	0.600	0	17	3
HADZIJAHOVIC Ajla	EFK	SWE	4	4	3	V		0	0.200	-6	16	5
ASCHEHOUG Irina	TTF	NOR	V	V	V	V	V		1.000	19	25	1

Poule No 3 piste No 4

Referee: ENGMAN Johan SWE FFF

							V/M	ind.	HS	rank		
EKHOLM Irma	FKC	SWE		2	V	3	4	3	0.200	-7	17	5
SIEVERT Sofia	FKC	SWE	V		4	3	V	V	0.600	9	22	2
ASP Julia	DIF	SWE	4	V		3	V	1	0.400	-4	18	4
MUMM Emelie	DIF	SWE	V	V	V		V	V	1.000	11	25	1
ANDERSSON Matilda	UFK	SWE	V	0	3	2		1	0.200	-13	11	6
LEHRMAN Cecilia	LFK	SWE	V	1	V	3	V		0.600	4	19	3

Poule No 4 piste No 5

Referee: VALERO-PARRA Germán SWE JFK

							V/M	ind.	HS	rank		
WRAMNER Natalie	GOFK	SWE		3	V	V	3	V	0.600	3	21	3
BRECEVIC Nadja	GOFK	SWE	V		V	V	4	V	0.800	9	24	2
MANN Rebecca	GOFK	SWE	1	1		V	3	2	0.200	-11	12	5
THORED Nathalie	GOFK	SWE	4	3	3		4	4	0.000	-7	18	6
PAULANDER BÄCK Vega	SSIF	SWE	V	V	V	V		V	1.000	8	25	1
WESSLÉN Elin	UF	SWE	3	3	V	V	3		0.400	-2	19	4

Poules, round No 3

Poule No 5 piste No 6

Referee: RASMUSSEN Linn SWE UF

							V/M	ind.	HS	rank		
BERGSTRÖM Josefine	FFF	SWE	■	2	V	V	V	2	0.600	3	19	2
MÅRTENSSON Elvira	FFF	SWE	V	■	4	4	V	4	0.400	3	22	4
HANSSON Kristina	KFK	SWE	2	V	■	2	2	4	0.200	-9	15	6
EKMÄN Lovisa	SAF	SWE	1	V	V	■	4	3	0.400	-3	18	5
FREDRIKSSON Lovisa	UF	SWE	3	2	V	V	■	V	0.600	1	20	3
LÖFGREN Sonja	DIF	SWE	V	V	V	V	3	■	0.800	5	23	1

Poule No 6 piste No 7

Referee: WOLTERS Heinz SWE WFF

							V/M	ind.	HS	rank		
RIGODT Isabella	SAF	SWE	■	1	V	2	2	2	0.200	-10	12	5
ORNSTEIN Erika	SAF	SWE	V	■	V	V	3	V	0.800	7	23	1
WAGNE Anna	LFK	SWE	2	4	■	4	4	3	0.000	-8	17	6
WARVSTEN Kerstin	LFK	SWE	V	2	V	■	V4	4	0.600	1	20	4
SUNDBERG Emma	DIF	SWE	V	V	V	3	■	4	0.600	4	22	3
ERIKSSON Ida	UF	SWE	V	4	V	V	V	■	0.800	6	24	2

Challenge Eugène Fillol 2015

Women's Epée

Poule winners qualified from poule round no 3 – ranking 8-13 in DE tableau

rank	name	country	club	V/M	ind	HS
1	ASCHEHOUG Irina	NOR	TTF TRONDHEIM	1.000	19	25
2	LEJON Viktoria	SWE	MF19 MALMÖ	1.000	16	25
3	MUMM Emelie	SWE	DIF STOCKHOLM	1.000	11	25
4	PAULANDER BÄCK Vega	SWE	SSIF STOCKHOLM	1.000	8	25
5	ORNSTEIN Erika	SWE	SAF STOCKHOLM	0.800	7	23
6	LÖFGREN Sonja	SWE	DIF STOCKHOLM	0.800	5	23

Women's Epée

Poules, round No 4

Poule No 1 piste No 2

Referee: BAECKLUND Bodil SWE FFF

							V/M	ind.	HS	rank		
FREDRIKSSON Lovisa	UF	SWE		V	V	V	V	V	1.000	13	25	1
POCRNJA Iva	UF	CRO	3		1	2	0	V	0.200	-11	11	5
BRECEVIC Nadja	GOFK	SWE	3	V		V	V2	V	0.800	6	20	2
LINDGREN Julia	FFF	SWE	3	V	4		V	V	0.600	4	22	3
EKHOLM Irma	FKC	SWE	1	V	1	4		V	0.400	3	16	4
HADZIJAHOVIC Ajla	EFK	SWE	2	2	3	2	1		0.000	-15	10	6

Poule No 2 piste No 3

Referee: ENGMAN Johan SWE FFF

							V/M	ind.	HS	rank		
FERM Camilla	FFF	SWE		V	V	2	V	V	0.800	5	22	2
ENGDAHL Sophie	FFF	SWE	2		2	4	3	2	0.000	-12	13	6
EKMAN Lovisa	SAF	SWE	4	V		4	V	4	0.400	3	22	4
RIGODT Isabella	SAF	SWE	V	V	V		V	2	0.800	4	22	3
WAGNE Anna	LFK	SWE	2	V	2	3		2	0.200	-9	14	5
WRAMNER Natalie	GOFK	SWE	4	V	V	V	V		0.800	9	24	1

Poule No 3 piste No 4

Referee: VALERO-PARRA Germán SWE JFK

							V/M	ind.	HS	rank		
LEHRMAN Cecilia	LFK	SWE		3	V	V	V	V	0.800	5	23	1
WARVSTEN Kerstin	LFK	SWE	V		V	V	1	V	0.800	5	21	2
MANN Rebecca	GOFK	SWE	4	2		2	V	3	0.200	-8	16	6
THORED Nathalie	GOFK	SWE	2	2	V		4	2	0.200	-7	15	5
HEDIN Caroline	SSIF	SWE	3	V	4	V		2	0.400	-1	19	4
ERIKSSON Ida	UF	SWE	4	4	V	V	V		0.600	6	23	3

Poule No 4 piste No 5

Referee: RASMUSSEN Linn SWE UF

							V/M	ind.	HS	rank		
MÅRTENSSON Elvira	FFF	SWE		V	V	V	V	V	1.000	14	25	1
NIKLASDOTTER Ebba	FFF	SWE	0		3	3	V	V	0.400	-3	16	4
SUNDBERG Emma	DIF	SWE	3	V		2	V	V	0.600	2	20	3
SIEVERT Sofia	FKC	SWE	3	V	V		V	V	0.800	10	23	2
ANDERSSON Matilda	UFK	SWE	4	1	3	1		V	0.200	-8	14	5
GIDESKOG MALMGREN Moa	UF	SWE	1	3	2	2	2		0.000	-15	10	6

Poules, round No 4

Poule No 5 piste No 6

Referee: WOLTERS Heinz SWE WFF

									V/M	ind.	HS	rank
BERGSTRÖM Josefine	FFF	SWE		4	4	4	2	V	0.200	-5	19	4
GORDON ACHOUR Alina	FFF	SWE	V		V	V	4	V	0.800	5	24	2
HANSSON Kristina	KFK	SWE	V	3		V	V	V	0.800	4	23	3
ASP Julia	DIF	SWE	V	4	3		4	3	0.200	-5	19	4
WESSLÉN Elin	UF	SWE	V	V	3	V		V	0.800	7	23	1
ERIKSSON Caroline	SSIF	SWE	4	3	4	V	1		0.200	-6	17	6

Challenge Eugène Fillol 2015

Women's Epée

Poule winners qualified from poule round no 4 – ranking 14-18 in DE tableau

rank	name	country	club	V/M	ind	HS
1	MÅRTENSSON Elvira	SWE	FFF STOCKHOLM	1.000	14	25
2	FREDRIKSSON Lovisa	SWE	UF UPPSALA	1.000	13	25
3	WRAMNER Natalie	SWE	GOFK VISBY	0.800	9	24
4	WESSLÉN Elin	SWE	UF UPPSALA	0.800	7	23
5	LEHRMAN Cecilia	SWE	LFK LINKÖPING	0.800	5	23

Challenge Eugène Fillol 2015

Women's Epée

Ranking after poules round no 2 – 4, page 1/1

rank	name and first name	country	club	V/M	Index	HS	group
1	BRECEVIC Nadja	SWE	GOFK VISBY	0.800	23	68	qualified
2	ERIKSSON Ida	SWE	UF UPPSALA	0.733	18	70	qualified
3	SIEVERT Sofia	SWE	FKC KARLSKRONA	0.667	22	67	qualified
4	FERM Camilla	SWE	FFF STOCKHOLM	0.667	16	57	qualified
5	LINDGREN Julia	SWE	FFF STOCKHOLM	0.600	7	60	qualified
6	WARVSTEN Kerstin	SWE	LFK LINKÖPING	0.600	3	61	qualified
7	GORDON ACHOUR Alina	SWE	FFF STOCKHOLM	0.600	2	59	qualified
8	HANSSON Kristina	SWE	KFK KALMAR	0.563	-3	64	qualified
9	SUNDBERG Emma	SWE	DIF STOCKHOLM	0.438	-5	59	qualified
10	BERGSTRÖM Josefine	SWE	FFF STOCKHOLM	0.400	-3	59	qualified
11	RIGODT Isabella	SWE	SAF STOCKHOLM	0.400	-17	47	qualified
12	EKHOLM Irma	SWE	FKC KARLSKRONA	0.375	-3	59	qualified
13	NIKLASDOTTER Ebba	SWE	FFF STOCKHOLM	0.375	-11	53	eliminated
14	ERIKSSON Caroline	SWE	SSIF STOCKHOLM	0.333	-10	55	eliminated
15	ASP Julia	SWE	DIF STOCKHOLM	0.333	-13	55	eliminated
16	HEDIN Caroline	SWE	SSIF STOCKHOLM	0.333	-13	51	eliminated
17	ENGDAHL Sophie	SWE	FFF STOCKHOLM	0.333	-13	50	eliminated
18	EKMAN Lovisa	SWE	SAF STOCKHOLM	0.267	-11	54	eliminated
19	WAGNE Anna	SWE	LFK LINKÖPING	0.200	-20	50	eliminated
20	MANN Rebecca	SWE	GOFK VISBY	0.200	-29	42	eliminated
21	POCRNJA Iva	CRO	UF UPPSALA	0.200	-29	41	eliminated
22	ANDERSSON Matilda	SWE	UFK UMEÅ	0.133	-39	32	eliminated
23	THORED Nathalie	SWE	GOFK VISBY	0.067	-27	45	eliminated
24	HADZIJAHOVIC Ajla	SWE	EFK ESKILSTUNA	0.067	-40	32	eliminated
25	GIDESKOG MALMGREN Moa	SWE	UF UPPSALA	0.063	-48	31	eliminated

Challenge Eugène Fillol 2015

Women's Épée

Preliminary tableau of 12

page 1/1

1	BRECEVIC Nadja	SWE	GOFK VISBY	EKHOLM Irma
12	EKHOLM Irma	SWE	FKC KARLSKRONA	14/13
5	LINDGREN Julia	SWE	FFF STOCKHOLM	HANSSON Kristina
8	HANSSON Kristina	SWE	KFK KALMAR	15/13
9	SUNDBERG Emma	SWE	DIF STOCKHOLM	FERM Camilla
4	FERM Camilla	SWE	FFF STOCKHOLM	15/6
3	SIEVERT Sofia	SWE	FKC KARLSKRONA	SIEVERT Sofia
10	BERGSTRÖM Josefine	SWE	FFF STOCKHOLM	15/13
7	GORDON ACHOUR Alina	SWE	FFF STOCKHOLM	GORDON ACHOUR Alina
6	WARVSTEN Kerstin	SWE	LFK LINKÖPING	15/6
11	RIGODT Isabella	SWE	SAF STOCKHOLM	ERIKSSON Ida
2	ERIKSSON Ida	SWE	UF UPPSALA	15/6

Challenge Eugène Fillol 2015

Women's Epée

Qualified from preliminary tableau – ranking 19-24 in DE tableau

rank	name	country	club
1	ERIKSSON Ida	SWE	UF UPPSALA
2	SIEVERT Sofia	SWE	FKC KARLSKRONA
3	FERM Camilla	SWE	FFF STOCKHOLM
4	GORDON ACHOUR Alina	SWE	FFF STOCKHOLM
5	HANSSON Kristina	SWE	KFK KALMAR
6	EKHOLM Irma	SWE	FKC KARLSKRONA

Challenge Eugène Fillol 2015

Women's Épée

Ranking for direct elimination 32-tableau page 1/1

ranking	name and first name	country	club	group
1	LARSSON Sofie	SWE	UF UPPSALA	poule winner round 2
2	HAARLEM Sophie	SWE	FFF STOCKHOLM	poule winner round 2
3	KARLSSON Ebba	SWE	GOFK VISBY	poule winner round 2
3	RUNOLD Vendela	SWE	FFF STOCKHOLM	poule winner round 2
5	WENNE Emma	SWE	DIF STOCKHOLM	poule winner round 2
6	HATZ Fiona	SUI	UF UPPSALA	poule winner round 2
6	LINDE Åsa	SWE	KF99 KUNGSBACKA	poule winner round 2
8	ASCHEHOUG Irina	NOR	TTF TRONDHEIM	poule winner round 3
9	LEJON Viktoria	SWE	MF19 MALMÖ	poule winner round 3
10	MUMM Emelie	SWE	DIF STOCKHOLM	poule winner round 3
11	PAULANDER BÄCK Vega	SWE	SSIF STOCKHOLM	poule winner round 3
12	ORNSTEIN Erika	SWE	SAF STOCKHOLM	poule winner round 3
13	LÖFGREN Sonja	SWE	DIF STOCKHOLM	poule winner round 3
14	MÅRTENSSON Elvira	SWE	FFF STOCKHOLM	poule winner round 4
15	FREDRIKSSON Lovisa	SWE	UF UPPSALA	poule winner round 4
16	WRAMNER Natalie	SWE	GOFK VISBY	poule winner round 4
17	WESSLÉN Elin	SWE	UF UPPSALA	poule winner round 4
18	LEHRMAN Cecilia	SWE	LFK LINKÖPING	poule winner round 4
19	ERIKSSON Ida	SWE	UF UPPSALA	from preliminary tableau
20	SIEVERT Sofia	SWE	FKC KARLSKRONA	from preliminary tableau
21	FERM Camilla	SWE	FFF STOCKHOLM	from preliminary tableau
22	GORDON ACHOUR Alina	SWE	FFF STOCKHOLM	from preliminary tableau
23	HANSSON Kristina	SWE	KFK KALMAR	from preliminary tableau
24	EKHOLM Irma	SWE	FKC KARLSKRONA	from preliminary tableau

Women's Epée

Tableau de 32

Tableau de 16

Tableau de 8

1	LARSSON Sofie	UF	SWE				
32	-----		---	LARSSON Sofie			
17	WESSLÉN Elin	UF	SWE			LARSSON Sofie	
16	WRAMNER Natalie	GOF	SWE	WESSLÉN Elin		15/9	
9	LEJON Viktoria	MF1	SWE	15/9			LARSSON Sofie
24	EKHOLM Irma	FKC	SWE	EKHOLM Irma			15/8
25	-----		---	15/13			
8	ASCHEHOUG Irina	TTF	NOR	ASCHEHOUG Irina		ASCHEHOUG Irina	
5	WENNE Emma	DIF	SWE			15/8	
28	-----		---	WENNE Emma			
21	FERM Camilla	FFF	SWE			WENNE Emma	
12	ORNSTEIN Erika	SAF	SWE	ORNSTEIN Erika		15/9	
13	LÖFGREN Sonja	DIF	SWE	15/11			KARLSSON Ebba
20	SIEVERT Sofia	FKC	SWE	LÖFGREN Sonja			15/10
29	-----		---	15/7			
4	KARLSSON Ebba	GOF	SWE	KARLSSON Ebba		KARLSSON Ebba	
						15/14	

Women's Epée

Tableau de 32

Tableau de 16

Tableau de 8

3	RUNOLD Vendela	FFF	SWE			
30	-----		---	RUNOLD Vendela		
19	ERIKSSON Ida	UF	SWE		MÅRTENSSON Elvira	
14	MÅRTENSSON Elvira	FFF	SWE	MÅRTENSSON Elvira	15/5	
11	PAULANDER BÄCK Vega	SSIF	SWE		15/6	
22	GORDON ACHOUR Alina	FFF	SWE	PAULANDER BÄCK Vega		LINDE Åsa
27	-----		---	15/13		15/11
6	LINDE Åsa	KF99	SWE			
7	HATZ Fiona	UF	SUI		LINDE Åsa	
26	-----		---	LINDE Åsa	15/6	
23	HANSSON Kristina	KFK	SWE			
10	MUMM Emelie	DIF	SWE	HATZ Fiona		
15	FREDRIKSSON Lovisa	UF	SWE		MUMM Emelie	
18	LEHRMAN Cecilia	LFK	SWE	MUMM Emelie	15/9	
31	-----		---	15/13		
2	HAARLEM Sophie	FFF	SWE			MUMM Emelie
				FREDRIKSSON Lovisa		15/13
				15/14		
					HAARLEM Sophie	
					15/12	

Women's Epée

Tableaux E-F de 16

Tableaux E-F de 8

1	RUNOLD Vendela	FFF	SWE			
16	HANSSON Kristina	KFK	SWE	RUNOLD Vendela		
				15/13		
9	WRAMNER Natalie	GOFK	SWE		RUNOLD Vendela	
					15/8	
8	EKHOLM Irma	FKC	SWE	EKHOLM Irma		
				15/11		
5	LÖFGREN Sonja	DIF	SWE			
12	LEHRMAN Cecilia	LFK	SWE	LÖFGREN Sonja		
				13/10		
13	SIEVERT Sofia	FKC	SWE		SIEVERT Sofia	
					15/9	
4	ORNSTEIN Erika	SAF	SWE	SIEVERT Sofia		
				15/14		
3	PAULANDER BÄCK Vega	SSIF	SWE			
14	FERM Camilla	FFF	SWE	PAULANDER BÄCK Vega		
				15/12		
11	ERIKSSON Ida	UF	SWE		ERIKSSON Ida	
					14/9	
6	FREDRIKSSON Lovisa	UF	SWE	ERIKSSON Ida		
				15/10		
7	WESSLÉN Elin	UF	SWE			
10	LEJON Viktoria	MF19	SWE	LEJON Viktoria		
				15/14		
15	GORDON ACHOUR Alina	FFF	SWE		LEJON Viktoria	
					15/11	
2	HATZ Fiona	UF	SUI	GORDON ACHOUR Alina		
				15/6		

Challenge Eugène Fillol 2015
Women's Epée

Tableau G

1	HAARLEM Sophie	FFF	SWE	HAARLEM Sophie 15/12
8	SIEVERT Sofia	FKC	SWE	
5	LEJON Viktoria	MF19	SWE	MÅRTENSSON Elvira 15/14
4	MÅRTENSSON Elvira	FFF	SWE	
3	ASCHEHOUG Irina	TTF	NOR	RUNOLD Vendela 15/10
6	RUNOLD Vendela	FFF	SWE	
7	ERIKSSON Ida	UF	SWE	ERIKSSON Ida 14/12
2	WENNE Emma	DIF	SWE	

Challenge Eugène Fillol 2015
Women's Epée

Tableau final de 8

Semi-finals

Final

1	LARSSON Sofie	UF	SWE			
8	ERIKSSON Ida	UF	SWE	LARSSON Sofie		
				15/5		
5	RUNOLD Vendela	FFF	SWE		LARSSON Sofie	
4	MUMM Emelie	DIF	SWE	MUMM Emelie	15/14	
				15/14		
3	LINDE Åsa	KF99	SWE			MÅRTENSSON Elvira
6	HAARLEM Sophie	FFF	SWE	HAARLEM Sophie		15/14
				15/12		
7	MÅRTENSSON Elvira	FFF	SWE		MÅRTENSSON Elvira	
2	KARLSSON Ebba	GOFK	SWE	MÅRTENSSON Elvira	15/9	
				15/9		