

# Challenge Eugène Fillol 2011

## Women's Epee

Overall ranking, page 1/1

ranking	name and first name	country	clubname
<b>1</b>	<b>SAPIN-DORNACHER Mária</b>	<b>SUI</b>	<b>Cercle d'Éscrime de Romont</b>
<b>2</b>	<b>KARLSSON Jeanette (Best junior fencer)</b>	<b>SWE</b>	<b>FK Chapman, Karlskrona</b>
<b>3</b>	<b>DORDEVIC Larisa</b>	<b>SWE</b>	<b>FK Aramis, Helsingborg</b>
<b>3</b>	<b>NORBERG Agnes</b>	<b>SWE</b>	<b>Linköpings FK</b>
5	ROBERTSSON Hillevi	SWE	Wadköping FF, Örebro
6	STEPHAN Susanne	GER	Uppsala FF
7	HAARLEM Sophie	SWE	Föreningen för Fäktkonstens Främjande
8	RUNOLD Vendela	SWE	Föreningen för Fäktkonstens Främjande
9	ERIKSSON Ida	SWE	Wadköping FF, Örebro
10	FUSONI Carolina	FIN	Miekka-Miehet, Helsingfors
11	ANDRÉN Louise	SWE	Malmö FK av 1919
12	NAHTMAN Evelina	SWE	Djurgårdens IF Fäktning, Stockholm
13	ÖSTERDAHL Rebecka	SWE	Gotlands FK
14	STIBLERT Anna	SWE	Göteborgs FK
15	ÖBERG Katarina	SWE	FK Aramis, Helsingborg
16	ÅSTRÖM Nina	SWE	FK Aramis, Helsingborg
17	ÖSTMAN Cecilia	SWE	Uppsala FF
18	SIEVERT Sofia	SWE	FK Chapman, Karlskrona
19	PENTTINEN Anna-Riikka	FIN	Helsingfors Fäktare
20	LARSSON Siri	SWE	Stockholms Allmänna FF
21	VESTERGÅRD Jannica	SWE	Stockholms Studenters IF Fäktning
22	FRISK Camilla	SWE	Uppsala FF
23	ÅKERSTRÖM Sara	SWE	Stockholms Studenters IF Fäktning
24	HEDIN Caroline	SWE	Stockholms Studenters IF Fäktning
25	SALMINEN Jutta	FIN	Espoon Miekkailijat
26	SCHÖNBERG Ingrid	GER	Fechtgemeinschaft Segeberg
27	ARMENTEROS ENGLESON Sofia	SWE	Stockholms Studenters IF Fäktning
28	WEYER Ingrid	NOR	Oslo Studenters Idrettsklubb
29	JOHNSSON Annie	SWE	Djurgårdens IF Fäktning, Stockholm
30	SÖDERBERG Karin	SWE	Uppsala FF
31	RASMUSSEN Linn	SWE	Uppsala FF
32	CLAUSEN Lina	SWE	Djurgårdens IF Fäktning, Stockholm
33	ELGSAAS-VADA Ingrid	NOR	Oslo Studenters Idrettsklubb
34	IHRFORS Jane	SWE	Föreningen för Fäktkonstens Främjande
35	BÆCKLUND Margareta	SWE	Föreningen för Fäktkonstens Främjande

# Challenge Eugène Fillol 2011

## Women's Epee

### Detailed results – qualification rounds

Initial ranking

1
2
3
4
5
6

35 fencers to start – 20 fencers qualify for DE

Poules round no 1

All fencers qualify for poule round no 2

Poules round no 2

6 poule winners to DE with ranking 1-6

1
2
3
4
5
6

Poules round no 3

5 poule winners to DE with ranking 7-11

1
2
3
4
5
6

Poules round no 4

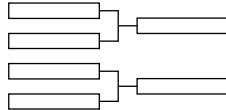
4 poule winners to DE with ranking 12-15

1
2
3
4
5
6

Ranking after poules 2-4

1
2
3
4
5
6

Preliminary tableau DE10



5 winners from prel.tableau to DE with ranking 16-20

1
2
3
4
5
6

Eliminated after poules final rankings 26-35

Eliminated from prel.tableau final rankings 21-25

# Challenge Eugène Fillol 2011

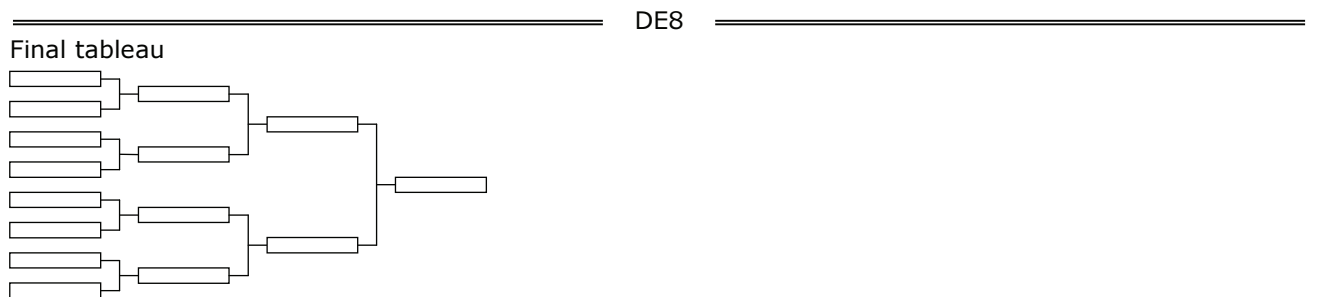
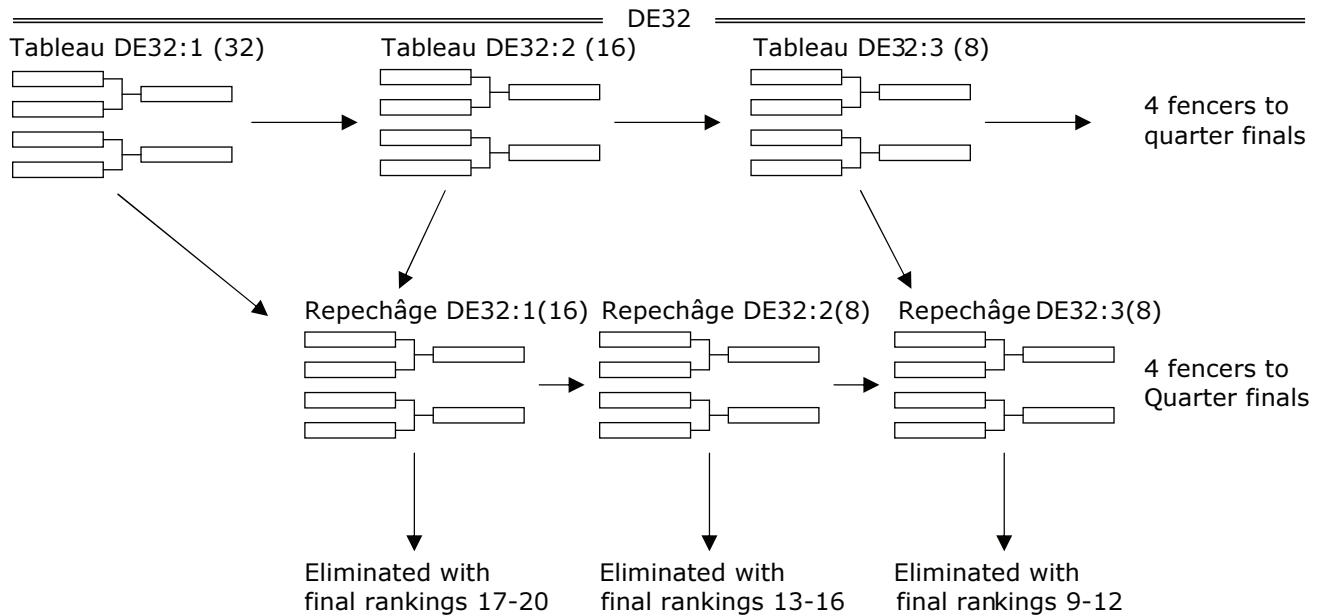
## Women's Epee

### Detailed results – direct elimination

Ranking for DE tableau

1
2
3
4
5
6
7
8
9
10
11
12
13
14
15
16
17
18
19
20

20 fencers qualified for direct elimination.  
DE32 with repechâge to 8, incomplete tableau,  
followed by quarterfinals, semifinals and final



# Challenge Eugène Fillol 2011

## Women's Epee

Initial ranking (ordered by fencer number – 35),

page 1/1

The fencers are ranked in 4 ranking groups: 0001-0999  
1000-1999  
2000-2999  
9999

fencers with FIE ranking points  
fencers on swedish senior's ranking list  
non-swedish fencers  
swedish fencers without ranking

fencer number	name and first name	country	club	clubname
0250	HAARLEM Sophie	SWE	FFF	Föreningen för Fäktkonstens Främjande
0308	STEPHAN Susanne	GER	UF	Uppsala FF
1007	KARLSSON Jeanette	SWE	FKC	FK Chapman, Karlskrona
1010	RUNOLD Vendela	SWE	FFF	Föreningen för Fäktkonstens Främjande
1011	ÅSTRÖM Nina	SWE	ARA	FK Aramis, Helsingborg
1014	ROBERTSSON Hillevi	SWE	WFF	Wadköping FF, Örebro
1016	VESTERGÅRD Jannica	SWE	SSIF	Stockholms Studenters IF Fäktning
1020	BÆCKLUND Margareta	SWE	FFF	Föreningen för Fäktkonstens Främjande
1021	ÅKERSTRÖM Sara	SWE	SSIF	Stockholms Studenters IF Fäktning
1022	NORBERG Agnes	SWE	LFK	Linköpings FK
1025	STIBLERT Anna	SWE	GFK	Göteborgs FK
1028	DORDEVIC Larisa	SWE	ARA	FK Aramis, Helsingborg
1028	ERIKSSON Ida	SWE	WFF	Wadköping FF, Örebro
1032	ÖSTMAN Cecilia	SWE	UF	Uppsala FF
1039	RASMUSSEN Linn	SWE	UF	Uppsala FF
1044	SÖDERBERG Karin	SWE	UF	Uppsala FF
1045	ANDRÉN Louise	SWE	MF19	Malmö FK av 1919
1045	HEDIN Caroline	SWE	SSIF	Stockholms Studenters IF Fäktning
1045	LARSSON Siri	SWE	SAF	Stockholms Allmänna FF
1045	NAHTMAN Evelina	SWE	DIF	Djurgårdens IF Fäktning, Stockholm
1045	ÖBERG Katarina	SWE	ARA	FK Aramis, Helsingborg
1061	ARMENTEROS ENGLESON Sofia	SWE	SSIF	Stockholms Studenters IF Fäktning
1061	JOHNSSON Annie	SWE	DIF	Djurgårdens IF Fäktning, Stockholm
1061	SIEVERT Sofia	SWE	FKC	FK Chapman, Karlskrona
1069	IHRFORS Jane	SWE	FFF	Föreningen för Fäktkonstens Främjande
2000	SAPIN-DORNACHER Måria	SUI	CER	Cercle d'Escrime de Romont
2001	SCHÖNBERG Ingrun	GER	FGSe	Fechtgemeinschaft Segeberg
2018	PENTTINEN Anna-Riikka	FIN	HFM	Helsingfors Fäktare
2018	WEYER Ingrid	NOR	OSI	Oslo Studenters Idrettsklubb
2021	ELGSAAS-VADA Ingrid	NOR	OSI	Oslo Studenters Idrettsklubb
2022	FUSONI Carolina	FIN	MM	Miekka-Miehet, Helsingfors
2059	SALMINEN Jutta	FIN	EM	Espoon Miekkailijat
9999	CLAUSEN Lina	SWE	DIF	Djurgårdens IF Fäktning, Stockholm
9999	FRISK Camilla	SWE	UF	Uppsala FF
9999	ÖSTERDAHL Rebecka	SWE	GoFK	Gotlands FK

## Challenge Eugene Fillol 2011

### Women's Epee

#### Poules, round no 1

##### Poule no 1 10:00 piste No 12

							V/M	ind.	HS	ranking	
ÖSTMAN Cecilia	SWE	UF		3	1	3	1	0/4	-12	8	5
ARMENTEROS ENGLESON Sofia	SWE	SSIF	V		1	V	3	2/4	-1	14	3
HAARLEM Sophie	SWE	FFF	V	V		V	V	4/4	15	20	1
ERIKSSON Ida	SWE	WFF	V	2	1		2	1/4	-8	10	4
SAPIN-DORNACHER Maria	SUI	CER	V	V	2	V		3/4	6	17	2

##### Poule no 2 10:00 piste No 13

								V/M	ind.	HS	ranking
Referee : EDLUND Mattias	SWE	UP	UF								
Referee : LINDQVIST Joakim	SWE	ST	FFF								
FRISK Camilla	SWE	UF		2	V	V	V	4/5	10	22	1
STEPHAN Susanne	GER	UF	V		V3	V3	3	4/5	6	19	2
VESTERGÅRD Jannica	SWE	SSIF	3	2		V	2	2/5	-1	17	4
NAHTMAN Evelina	SWE	DIF	2	1	4		2	1/5	-6	14	5
DORDEVIC Larisa	SWE	ARA	0	V	V	V		4/5	5	20	3
IHRFORS Jane	SWE	FFF	2	3	1	2	3	0/5	-14	11	6

##### Poule no 3 10:00 piste No 14

								V/M	ind.	HS	ranking
STIBLERT Anna	SWE	GFK		2	V	4	4	1/5	-4	18	5
ÖSTERDAHL Rebecka	SWE	GoFK	V		V4	V	V	5/5	11	23	1
RASMUSSEN Linn	SWE	UF	2	1		4	2	1/5	-9	14	6
JOHNSSON Annie	SWE	DIF	V	2	V		3	2/5	-4	19	4
KARLSSON Jeanette	SWE	FKC	V	4	V	V		3/5	4	23	2
SCHÖNBERG Ingrun	GER	FGSE	V	3	4	V	V	3/5	2	22	3

##### Poule no 4 10:00 piste No 15

								V/M	ind.	HS	ranking
CLAUSEN Lina	SWE	DIF		4	1	0	1	1/5	-13	11	5
SÖDERBERG Karin	SWE	UF	V		V	0	3	3/5	-3	18	3
SIEVERT Sofia	SWE	FKC	V	4		3	2	2/5	5	19	4
NORBERG Agnes	SWE	LFK	V	V	V3		3	4/5	10	19	2
RUNOLD Vendela	SWE	FFF	V	V	V	V4		5/5	11	24	1
PENTTINEN Anna-Riikka	FIN	HFM	4	3	0	2	4	0/5	-10	13	6

##### Poule no 5 10:00 piste No 16

								V/M	ind.	HS	ranking
Referee : ENGMAN Johan	SWE	ST	FFF								
ÅSTRÖM Nina	SWE	ARA		V	V	2	V	3/5	2	21	3
SALMINEN Jutta	FIN	EM	3		2	4	3	0/5	-11	14	6
ANDRÉN Louise	SWE	MF19	3	V		V	4	3/5	5	22	2
WEYER Ingrid	NOR	OSI	V	V	2		1	3/5	-1	18	4
ÅKERSTRÖM Sara	SWE	SSIF	3	V	V	V		4/5	6	23	1
LARSSON Siri	SWE	SAF	V	V	3	3	4	2/5	-1	20	5

##### Poule no 6 10:00 piste No 17

								V/M	ind.	HS	ranking
HEDIN Caroline	SWE	SSIF		2	2	0	V	1/5	-12	9	5
ROBERTSSON Hillevi	SWE	WFF	V		V	3	V	4/5	12	23	2
FUSONI Carolina	FIN	MM	V	0		1	V	3/5	0	16	3
BAECKLUND Margareta	SWE	FFF	V	V	V		V	5/5	19	25	1
ELGSAAS-VADA Ingrid	NOR	OSI	1	1	2	0		0/5	-19	6	6
ÖBERG Katarina	SWE	ARA	V	3	2	2	V	2/5	0	17	4

## Challenge Eugene Fillol 2011

### Women's Epee

#### Poules, round no 2

##### Poule no 1 12:00 piste No 13

						V/M	ind.	HS	ranking			
BAECKLUND Margareta	SWE	FFF		A	A	A	A	A	aba	6		
ANDRÉN Louise	SWE	MF19	X		V	4	2	V	2/4	2	16	3
ELGSAAS-VADA Ingrid	NOR	OSI	X	0		3	0	2	0/4	-15	5	5
ERIKSSON Ida	SWE	WFF	X	V	V		3	V	3/4	2	18	2
KARLSSON Jeanette	SWE	FKC	X	V	V	V		V	4/4	15	20	1
JOHNSSON Annie	SWE	DIF	X	4	V	4	0		1/4	-4	13	4

##### Poule no 2 12:00 piste No 14

Referee :						V/M	ind.	HS	ranking			
VALERO-PARRA Germán	SWE	ST		JFK								
SCHÖNBERG Ingrun	GER	FGSE		V	1	1	0		1/4	-11	7	5
STIBLERT Anna	SWE	GFK	4		1	V	0		1/4	-6	10	4
VESTERGÅRD Jannica	SWE	SSIF	V	V		0	0		2/4	-2	10	3
HAARLEM Sophie	SWE	FFF	V4	1	V		V		3/4	5	15	2
SAPIN-DORNACHER Maria	SUI	CER	V	V	V	4			3/4	14	19	1

##### Poule no 3 12:00 piste No 15

						V/M	ind.	HS	ranking			
ÅSTRÖM Nina	SWE	ARA		3	1	4	V	V	2/5	-4	18	4
DORDEVIC Larisa	SWE	ARA	V		V	V3	V	V	5/5	11	23	1
LARSSON Siri	SWE	SAF	V	2		1	V	2	2/5	-5	15	5
RUNOLD Vendela	SWE	FFF	V	2	V		V	V	4/5	9	22	2
IHRFORS Jane	SWE	FFF	4	4	4	2		2	0/5	-9	16	6
NAHTMAN Evelina	SWE	DIF	3	1	V	3	V		2/5	-2	17	3

##### Poule no 4 12:00 piste No 16

Referee :						V/M	ind.	HS	ranking			
RASMUSSEN Björn	SWE	UP		UF								
STEPHAN Susanne	GER	UF		V	V	3	V	V	4/5	5	23	1
RASMUSSEN Linn	SWE	UF	4		4	2	V	3	1/5	-4	18	6
ÖSTMAN Cecilia	SWE	UF	4	V		3	V	V	3/5	0	22	3
ÖSTERDAHL Rebecka	SWE	GoFK	V	V	V		3	1	3/5	1	19	2
FUSONI Carolina	FIN	MM	3	2	4	V		V	2/5	-2	19	5
ÖBERG Katarina	SWE	ARA	2	V	4	V	3		2/5	0	19	4

##### Poule no 5 12:00 piste No 17

						V/M	ind.	HS	ranking			
ÅKERSTRÖM Sara	SWE	SSIF		V	1	1	V	4	2/5	-7	16	5
HEDIN Caroline	SWE	SSIF	4		3	1	V	V	2/5	-3	18	3
SIEVERT Sofia	SWE	FKC	V	V4		3	4	V	3/5	3	21	2
ROBERTSSON Hillevi	SWE	WFF	V	V	V		V	V	5/5	15	25	1
SALMINEN Jutta	FIN	EM	4	3	V	1		V	2/5	-3	18	3
WEYER Ingrid	NOR	OSI	V	4	4	4	2		1/5	-5	19	6

##### Poule no 6 12:00 piste No 18

Referee :						V/M	ind.	HS	ranking			
RUNOLD Jeannette	SWE	ST		FFF								
SÖDERBERG Karin	SWE	UF		1	2	2	V	V	2/5	-7	15	5
FRISK Camilla	SWE	UF	V		2	2	3	V	2/5	0	17	3
NORBERG Agnes	SWE	LFK	V	V		V1	V	V	5/5	15	21	1
PENTTINEN Anna-Riikka	FIN	HFM	V4	V	1		V4	V	4/5	9	19	2
ARMENTEROS ENGLESON Sofia	SWE	SSIF	4	V	1	1		V	2/5	-3	16	4
CLAUSEN Lina	SWE	DIF	4	1	0	4	2		0/5	-14	11	6

# Challenge Eugène Fillol 2011

## Women's Epee

Qualified from poule round no 2 – ranking 1-6 in DE tableau

ranking	name and first name	country	club	V/M	Index	HS
1	ROBERTSSON Hillevi	SWE	WFF	1.000	+15	25
2	NORBERG, Agnes	SWE	LFK	1.000	+15	21
3	KARLSSON Jeanette	SWE	FKC	1.000	+15	20
4	DORDEVIC Larisa	SWE	ARA	1.000	+11	23
5	STEPHAN Susanne	GER	UF	0.800	+9	22
6	SAPIN-DORNACHER Mária	SUI	CER	0.750	+14	19

## Challenge Eugene Fillol 2011

### Women's Epee

#### Poules, round no 3

Poule no 1 14:00 piste No 13

Referee : CHAMBERS  
Referee : FORSSE

Benedict IRL  
Tor SWE ST

FFF  
FFF

							V/M	ind.	HS	ranking
SÖDERBERG Karin	SWE	UF					0/4	-10	10	5
FRISK Camilla	SWE	UF	V				2/4	-2	14	3
RUNOLD Vendela	SWE	FFF	V	V			4/4	10	20	1
JOHANSSON Annie	SWE	DIF	V	3	3		1/4	-2	15	4
ÖBERG Katarina	SWE	ARA	V	V	2	V	3/4	4	17	2

Poule no 2 14:00 piste No 14

Referee : BERGDAHL

Erik SWE ST

FFF

							V/M	ind.	HS	ranking
VESTERGÅRD Jannica	SWE	SSIF		V	2	3	2/4	-3	15	4
ÅKERSTRÖM Sara	SWE	SSIF	4		4	2	1/4	-3	15	5
STIBLERT Anna	SWE	GFK	V	V		3	2/4	0	16	3
FUSONI Carolina	FIN	MM	V	V	V		3/4	6	19	1
PENTTINEN Anna-Riikka	FIN	HFM	4	3	V	V	2/4	0	17	2

Poule no 3 14:00 piste No 15

Referee : SIEVERT

Thomas SWE VN

Scar

							V/M	ind.	HS	ranking
SCHÖNBERG Ingrun	GER	FGSE		2	4	4	1/5	-2	19	5
NAHTMAN Evelina	SWE	DIF	V		1	V	3/5	4	16	3
HAARLEM Sophie	SWE	FFF	V	V		V	5/5	16	25	1
LARSSON Siri	SWE	SAF	V	0	1		2/5	-6	15	4
ELGSAAS-VADA Ingrid	NOR	OSI	1	0	0	2	0/5	-22	3	6
ANDRÉN Louise	SWE	MF19	V	V	3	V	4/5	10	23	2

Poule no 4 14:00 piste No 16

Referee : LAGERLÖF

Andrés SWE ST

FFF

							V/M	ind.	HS	ranking
RASMUSSEN Linn	SWE	UF		3	2	4	1/5	-3	18	5
ÖSTMAN Cecilia	SWE	UF	V		V	2	3/5	5	21	2
HEDIN Caroline	SWE	SSIF	V	1		V	3/5	-1	18	4
ÅSTRÖM Nina	SWE	ARA	V	V	3		3/5	2	19	3
ERIKSSON Ida	SWE	WFF	V	V	V	V	5/5	10	25	1
CLAUSEN Lina	SWE	DIF	1	2	4	1	0/5	-13	12	6

Poule no 5 14:00 piste No 17

Referee : BAECKLUND

Bodil SWE ÖR

WFF

							V/M	ind.	HS	ranking
IHRFORS Jane	SWE	FFF		3	2	3	0/5	-15	10	6
ÖSTERDAHL Rebecka	SWE	GoFK	V		V	V	5/5	13	25	1
ARMENTEROS ENGLESON Sofia	SWE	SSIF	V	0		3	2/5	-3	15	5
WEYER Ingrid	NOR	OSI	V	2	V		3/5	1	21	3
SIEVERT Sofia	SWE	FKC	V	4	V4	4	3/5	6	22	2
SALMINEN Jutta	FIN	EM	V	3	2	V	2/5	-2	19	4



# Challenge Eugène Fillol 2011

## Women's Epee

Qualified from poule round no 3 – ranking 7-11 in DE tableau

ranking	name and first name	country	club	V/M	Index	HS
1	HAARLEM Sophie	SWE	FFF	1.000	+16	25
2	ÖSTERDAHL Rebecka	SWE	GoFK	1.000	+13	25
3	ERIKSSON Ida	SWE	WFF	1.000	+10	25
4	RUNOLD Vendela	SWE	FFF	1.000	+10	20
5	FUSONI Carolina	FIN	MM	0.750	+6	19

## Challenge Eugene Fillol 2011 Women's Epee

### Poules, round no 4

Poule no 1 16:00 piste No 16  
Referee : FORSSE Tor

	SWE	ST	FFF		V/M	ind.	HS	ranking
ÅKERSTRÖM Sara	SWE	SSIF		V	3	V	V	3/4 2 18 2
HEDIN Caroline	SWE	SSIF	4		3	V	4	1/4 -3 16 3
ANDRÉN Louise	SWE	MF19	V	V		V	V	4/4 8 20 1
PENTTINEN Anna-Riikka	FIN	HFM	3	4	3		V	1/4 -4 15 5
JOHANSSON Annie	SWE	DIF	4	V	3	4		1/4 -3 16 3

Poule no 2 16:00 piste No 13  
Referee : BERGDAHL Erik

	SWE	ST	FFF		V/M	ind.	HS	ranking	
ELGSAAS-VADA Ingrid	NOR	OSI		2	4	2	4	0 0/5 -13 12 6	
WEYER Ingrid	NOR	OSI	V		2	1	4	2 1/5 -8 14 5	
STIBLERT Anna	SWE	GFK	V	V		4	V	V 4/5 7 24 1	
SCHÖNBERG Ingrun	GER	FGSE	V	V	V		2	2 3/5 2 19 4	
ÖBERG Katarina	SWE	ARA	V	V	3	V		V 4/5 4 23 2	
LARSSON Siri	SWE	SAF	V	V	3	V	4		3/5 8 22 3

Poule no 3 16:00 piste No 14  
Referee : ROBERTSSON Hillevi

	SWE	ÖR	WFF		V/M	ind.	HS	ranking	
RASMUSSEN Linn	SWE	UF		3	3	4	2	X 0/4 -8 12 5	
FRISK Camilla	SWE	UF	V		2	V	4	X 2/4 -1 16 3	
ÅSTRÖM Nina	SWE	ARA	V	V		V	4	X 3/4 7 19 2	
ARMENTEROS ENGLESON Sofia	SWE	SSIF	V	4	2		2	X 1/4 -6 13 4	
SIEVERT Sofia	SWE	FKC	V	V	V	V		X 4/4 8 20 1	
IHRFORS Jane	SWE	FFF	A	A	A	A	A		aba 6

Poule no 4 16:00 piste No 15  
Referee : SIEVERT Thomas

	SWE	VN	Scar		V/M	ind.	HS	ranking	
ÖSTMAN Cecilia	SWE	UF		V	V	V	V	V 5/5 16 25 1	
SÖDERBERG Karin	SWE	UF	2		3	V	0	3 1/5 -9 13 5	
SALMINEN Jutta	FIN	EM	1	V		V	4	4 2/5 -2 19 4	
CLAUSEN Lina	SWE	DIF	2	2	3		4	4 0/5 -10 15 6	
NAHTMAN Evelina	SWE	DIF	3	V	V	V		V 4/5 6 23 2	
VESTERGÅRD Jannica	SWE	SSIF	1	V	V	V	4		3/5 -1 20 3

# Challenge Eugène Fillol 2011

## Women's Epee

Qualified from poule round no 4 – ranking 12-15 in DE tableau

ranking	name and first name	country	club	V/M	Index	HS
1	ÖSTMAN Cecilia	SWE	UF	1.000	+16	25
2	ANDRÉN Louise	SWE	MF19	1.000	+8	20
2	SIEVERT Sofia	SWE	FKC	1.000	+8	20
4	STIBLERT Anna	SWE	GFK	0.800	+7	24

# Challenge Eugène Fillol 2011

## Women's Epee

### Ranking after poules round no 2 - 4

ranking	name and first name	country	club	V/M	Index	HS	
1	ÖBERG Katarina	SWE	ARA	0.643	+8	59	qualified for prel tableau
2	NAHTMAN Evelina	SWE	DIF	0.600	+8	56	qualified for prel tableau
3	ÅSTRÖM Nina	SWE	ARA	0.571	+5	56	qualified for prel tableau
4	PENTTINEN Anna-Riikka	FIN	HFM	0.538	+5	51	qualified for prel tableau
5	VESTERGÅRD Jannica	SWE	SSIF	0.538	-6	45	qualified for prel tableau
6	LARSSON Siri	SWE	SAF	0.467	-3	52	qualified for prel tableau
7	FRISK Camilla	SWE	UF	0.462	-3	47	qualified for prel tableau
8	ÅKERSTRÖM Sara	SWE	SSIF	0.462	-8	49	qualified for prel tableau
9	HEDIN Caroline	SWE	SSIF	0.429	-7	52	qualified for prel tableau
10	SALMINEN Jutta	FIN	EM	0.400	-7	56	qualified for prel tableau
11	SCHÖNBERG Ingrun	GER	FGSe	0.357	-11	45	eliminated after poules
12	ARMENTEROS ENGLESON Sofia	SWE	SSIF	0.357	-12	44	eliminated after poules
13	WEYER Ingrid	NOR	OSI	0.333	-12	54	eliminated after poules
14	JOHANSSON Annie	SWE	DIF	0.250	-9	44	eliminated after poules
15	SÖDERBERG Karin	SWE	UF	0.214	-26	38	eliminated after poules
16	RASMUSSEN Linn	SWE	UF	0.143	-15	48	eliminated after poules
17	CLAUSEN Lina	SWE	DIF	0.000	-37	38	eliminated after poules
18	ELGSAAS-VADA Ingrid	NOR	OSI	0.000	-50	20	eliminated after poules
19	IHRFORS Jane	SWE	FFF				abandoned in round 4
20	BÆCKLUND Margareta	SWE	FFF				abandoned in round 2

Challenge Eugene Fillol 2011  
Women's Epee

Preliminary tableau de10

1	ÖBERG Katarina	SWE	ARA	ÖBERG Katarina 15/8
10	SALMINEN Jutta	FIN	EM	
5	VESTERGÅRD Jannica	SWE	SSIF	LARSSON Siri 15/12
6	LARSSON Siri	SWE	SAF	
7	FRISK Camilla	SWE	UF	PENTTINEN Anna-Riikka 15/9
4	PENTTINEN Anna-Riikka	FIN	HFM	
3	ÅSTRÖM Nina	SWE	ARA	ÅSTRÖM Nina 15/8
8	ÅKERSTRÖM Sara	SWE	SSIF	
9	HEDIN Caroline	SWE	SSIF	NAHTMAN Evelina 15/12
2	NAHTMAN Evelina	SWE	SSIF	

---

# Challenge Eugène Fillol 2011

## Women's Epee

Qualified from preliminary tableau – ranking 16-20 in DE tableau

ranking	name and first name	country	club
1	ÖBERG Katarina	SWE	ARA
2	NAHTMAN Evelina	SWE	DIF
3	ÅSTRÖM Nina	SWE	ARA
4	PENTTINEN Anna-Riikka	FIN	HFM
5	LARSSON Siri	SWE	SAF

# Challenge Eugène Fillol 2011

## Women's Epee

### Ranking for direct elimination

ranking	name and first name	country	club
1	ROBERTSSON Hillevi	SWE	WFF
2	NORBERG, Agnes	SWE	LFK
3	KARLSSON Jeanette	SWE	FKC
4	DORDEVIC Larisa	SWE	ARA
5	STEPHAN Susanne	GER	UF
6	SAPIN-DORNACHER M`aria	SUI	CER
7	HAARLEM Sophie	SWE	FFF
8	ÖSTERDAHL Rebecka	SWE	GoFK
9	ERIKSSON Ida	SWE	WFF
10	RUNOLD Vendela	SWE	FFF
11	FUSONI Carolina	FIN	MM
12	ÖSTMAN Cecilia	SWE	UF
13	ANDRÉN Louise	SWE	MF19
13	SIEVERT Sofia	SWE	FKC
15	STIBLERT Anna	SWE	GFK
16	ÖBERG Katarina	SWE	ARA
17	NAHTMAN Evelina	SWE	DIF
18	ÅSTRÖM Nina	SWE	ARA
19	PENTTINEN Anna-Riikka	FIN	HFM
20	LARSSON Siri	SWE	SAF

# Challenge Eugène Fillol 2011 Women's Epee

Tableau de 32:1

1	ROBERTSSON Hillevi	SWE	WFF	ROBERTSSON Hillevi
32				
17	NAHTMAN Evelina	SWE	DIF	NAHTMAN Evelina
16	ÖBERG Katarina	SWE	ARA	15/7
9	ERIKSSON Ida	SWE	WFF	ERIKSSON Ida
24				
25				
8	ÖSTERDAHL Rebecka	SWE	GoFK	ÖSTERDAHL Rebecka
5	STEPHAN Susanne	GER	UF	STEPHAN Susanne
28				
21				
12	ÖSTMAN Cecilia	SWE	UF	ÖSTMAN Cecilia
13	ANDRÉN Louise	SWE	MF19	ANDRÉN Louise
20	LARSSON Siri	SWE	SAF	15/4
29				
4	DORDEVIC Larisa	SWE	ARA	DORDEVIC Larisa
3	KARLSSON Jeanette	SWE	FKC	KARLSSON Jeanette
30				
19	PENTTINEN Anna-Riikka	FIN	HFM	PENTTINEN Anna-Riikka
14	SIEVERT Sofia	SWE	FKC	10/7
11	FUSONI Carolina	FIN	MM	FUSONI Carolina
22				
27				
6	SAPIN-DORNACHER Maria	SUI	CER	SAPIN-DORNACHER Maria
7	HAARLEM Sophie	SWE	FFF	HAARLEM Sophie
26				
23				
10	RUNOLD Vendela	SWE	FFF	RUNOLD Vendela
15	STIBLERT Anna	SWE	GFK	ÅSTRÖM Nina
18	ÅSTRÖM Nina	SWE	ARA	15/12
31				
2	NORBERG Agnes	SWE	LFK	NORBERG Agnes



Challenge Eugène Fillol 2011  
Women's Epee

Tableau de 32:2

1	ROBERTSSON Hillevi	SWE	WFF	ROBERTSSON Hillevi 15/12
16	NAHTMAN Evelina	SWE	DIF	
9	ERIKSSON Ida	SWE	WFF	ERIKSSON Ida 15/10
8	ÖSTERDAHL Rebecka	SWE	GoFK	
5	STEPHAN Susanne	GER	UF	STEPHAN Susanne 15/8
12	ÖSTMAN Cecilia	SWE	UF	
13	ANDRÉN Louise	SWE	MF19	ANDRÉN Louise 15/14
4	DORDEVIC Larisa	SWE	ARA	
3	KARLSSON Jeanette	SWE	FKC	KARLSSON Jeanette 15/10
14	PENTTINEN Anna-Riikka	FIN	HFM	
11	FUSONI Carolina	FIN	MM	SAPIN-DORNACHER Maria 15/12
6	SAPIN-DORNACHER Maria	SUI	CER	
7	HAARLEM Sophie	SWE	FFF	RUNOLD Vendela 15/14
10	RUNOLD Vendela	SWE	FFF	
15	ÅSTRÖM Nina	SWE	ARA	NORBERG Agnes 15/9
2	NORBERG Agnes	SWE	LFK	

Challenge Eugène Fillol 2011  
Women's Epee

Tableau de 32:3

1	ROBERTSSON Hillevi	SWE	WFF	ROBERTSSON Hillevi 15/13
8	ERIKSSON Ida	SWE	WFF	
5	STEPHAN Susanne	GER	UF	STEPHAN Susanne 15/10
4	ANDRÉEN Louise	SWE	MF19	
3	KARLSSON Jeanette	SWE	FKC	KARLSSON Jeanette 15/13
6	SAPIN-DORNACHER Maria	SUI	CER	
7	RUNOLD Vendela	SWE	FFF	RUNOLD Vendela 11/10
2	NORBERG Agnes	SWE	LFK	

Challenge Eugène Fillol 2011  
Women's Epee

Repechâge de 32:1

1	DORDEVIC Larisa	SWE	ARA	DORDEVIC Larisa
16				
9	STIBLERT Anna	SWE	GFK	STIBLERT Anna 15/14
8	PENTTINEN Anna-Riikka	FIN	HFM	
5	ÖSTMAN Cecilia	SWE	UF	ÖBERG Katarina 15/7
12	ÖBERG Katarina	SWE	ARA	
13				FUSONI Carolina
4	FUSONI Carolina	FIN	MM	
3	ÖSTERDAHL Rebecka	SWE	GoFK	ÖSTERDAHL Rebecka
14				
11	LARSSON Siri	SWE	SAF	NAHTMAN Evelina 15/12
6	NAHTMAN Evelina	SWE	DIF	
7	ÅSTRÖM Nina	SWE	ARA	ÅSTRÖM Nina 15/13
10	SIEVERT Sofia	SWE	FKC	
15				HAARLEM Sophie
2	HAARLEM Sophie	SWE	FFF	

Challenge Eugène Fillol 2011  
Women's Epee

Repechâge de 32:2

1	DORDEVIC Larisa	SWE	ARA	DORDEVIC Larisa 15/13
8	STIBLERT Anna	SWE	GFK	
5	ÖBERG Katarina	SWE	ARA	FUSONI Carolina 15/8
4	FUSONI Carolina	FIN	MM	
3	ÖSTERDAHL Rebecka	SWE	GoFK	NAHTMAN Evelina 15/12
6	NAHTMAN Evelina	SWE	DIF	
7	ÅSTRÖM Nina	SWE	ARA	HAARLEM Sophie 15/10
2	HAARLEM Sophie	SWE	FFF	

Challenge Eugène Fillol 2011  
Women's Epee

Repechâge de 32:3

1	NORBERG Agnes	SWE	LFK	NORBERG Agnes 15/14
8	FUSONI Carolina	FIN	MM	
5	HAARLEM Sophie	SWE	FFF	HAARLEM Sophie 15/7
4	ANDRÉEN Louise	SWE	MF19	
3	ERIKSSON Ida	SWE	WFF	DORDEVIC Larisa 10/9
6	DORDEVIC Larisa	SWE	ARA	
7	NAHTMAN Evelina	SWE	DIF	SAPIN-DORNACHER Maria 15/9
2	SAPIN-DORNACHER Maria	SUI	CER	

# Challenge Eugène Fillol 2011

## Women's Epee

### Final tableau

1	ROBERTSSON Hillevi	SWE	WFF						
8	SAPIN-DORNACHER Maria	SUI	CER			SAPIN-DORNACHER Maria	15/6		
5	DORDEVIC Larisa	SWE	ARA			SAPIN-DORNACHER Maria	15/9		
4	RUNOLD Vendela	SWE	FFF			DORDEVIC Larisa	13/7		
3	STEPHAN Susanne	GER	UF					SAPIN-DORNACHER Maria	15/11
6	NORBERG Agnes	SWE	LFK			NORBERG Agnes	15/9		
7	HAARLEM Sophie	SWE	FFF			KARLSSON Jeanette	15/7		
2	KARLSSON Jeanette	SWE	FKC			KARLSSON Jeanette	15/11		